

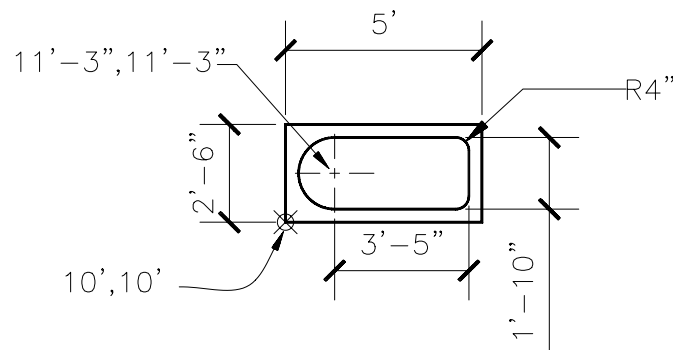
## CHAPTER 8 EXERCISES

### 1. Pline, Arc, Circle

For our first set of architectural drawings we will create a small bathroom. Each of the components will be constructed in the same drawing.

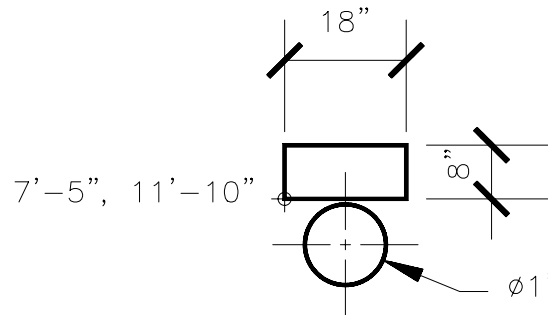
- A. Create a new drawing of the tub as shown in Figure AR8-1. Do not draw the dimensions. Set your **Units** to *Architectural* and your **Limits** to 36' by 36'. Begin by drawing the outer rectangle at the coordinate 10', 10'. Use one continuous **Pline** (with 0.00 width). The inside of the tub is completed by beginning the large **Arc** with a center at 11'-3", 11'-3".

Figure AR8-1



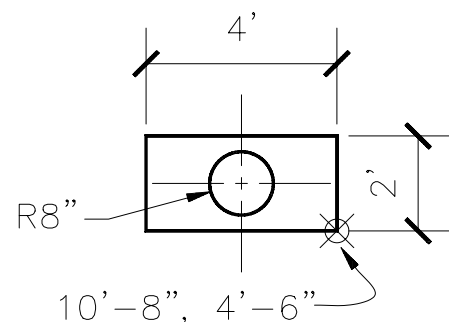
- B. Next, complete the drawing of the water closet (Fig. AR8-2). Start the end of the rectangle (use **Pline**) at 7'-5", 11'-10" and the center of the 1' diameter **Circle** at 8'-2", 11'-3".

Figure AR8-2



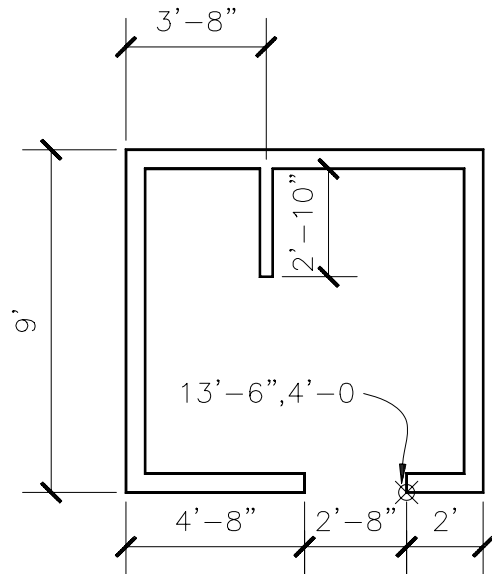
- C. Complete the drawing of the lavatory. The lower right corner of the rectangle is located at 10'-8", 4'-6" (Fig. AR8-3).

Figure AR8-3



- D. Next, complete the walls of the bathroom (Fig. AR8-4). Use any of the methods discussed in this chapter. The walls should be a continuous *Pline* with a *width* of .1 (Fig. AR8-4).

Figure AR8-4



- E. The finished drawing should look like Figure AR8-5. **SaveAs BATH.**

Figure AR8-5

