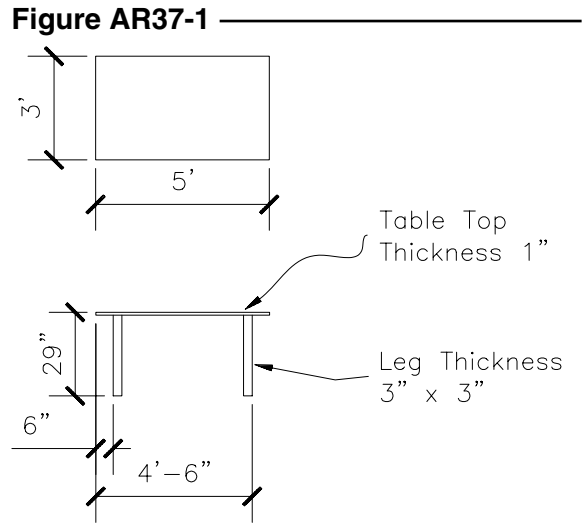


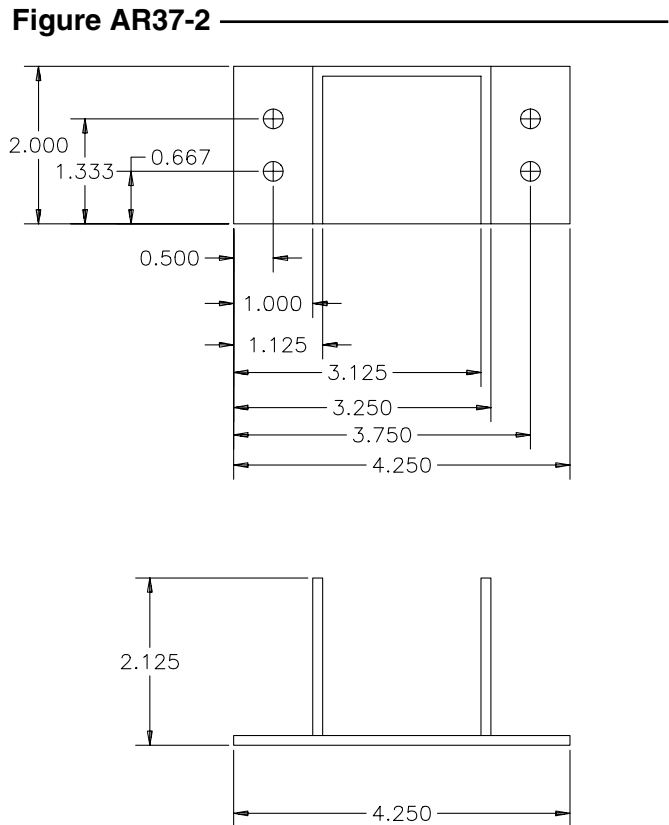
CHAPTER 37 EXERCISES

These exercises will give you practice using the commands and techniques you learned in Chapters 35, 36, and 37. Create a wireframe model of each of the following items.

1. Create the table shown in Figure AR37-1 as a wireframe model. The table top is 3' X 5' and 1" thick.

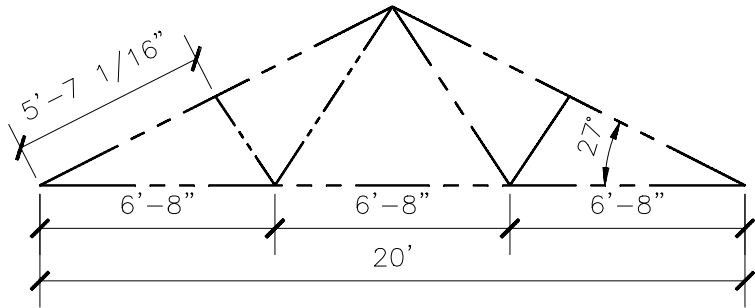


2. The next object you will create is called a joist hanger. Use your 3D skills to complete a wireframe model according to the dimensions shown in Figure AR37-2. The thickness of the two components that make up the joist hanger is .125".



3. Create a wireframe model of the truss shown in Figure AR37-3. Each of the members represented by the phantom lines is 2" x 6".

Figure AR37-3



4. Complete a wireframe model of the bathroom shown in plan view in Figure AR37-4. The wall thickness is 5" and the height of the walls is 8'.

Figure AR37-4

