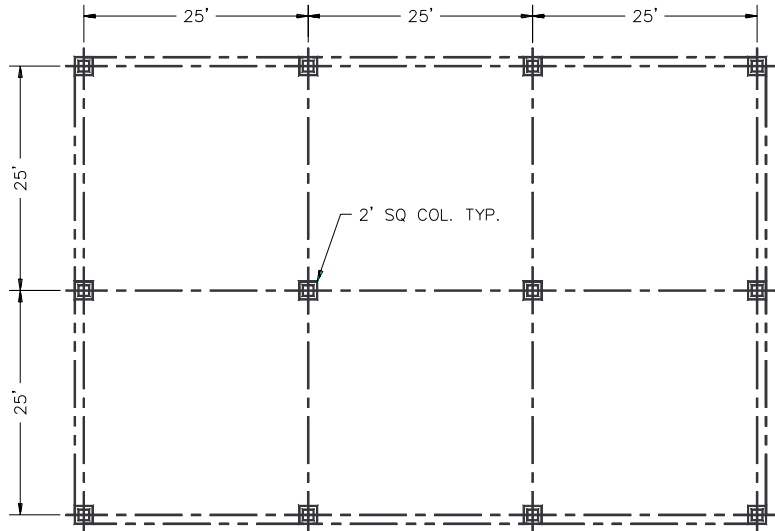


CHAPTER 12 EXERCISES

1. Column Layout

Complete the drawing in Figure CE12-1. Create separate *Layers* for the center and phantom lines. Set the *Ltscale* to an appropriate value for the drawing. *SaveAs* COLUMNS.

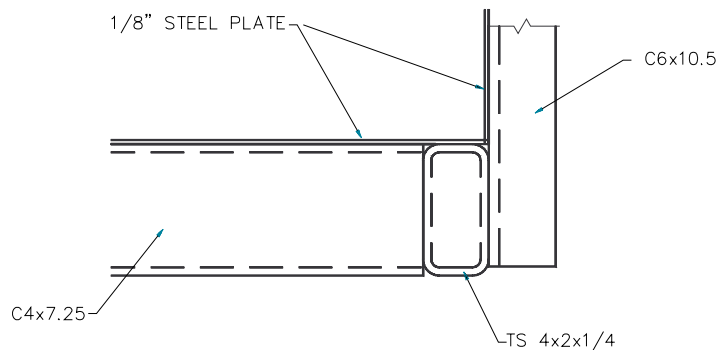
Figure CE12-1



2. Welded Connection

Set up *Layers* for object and hidden lines. Draw the connection detail shown in Figure CE12-2. Estimate all dimensions that are not given in the steel callouts. *SaveAs* WELDCONN.

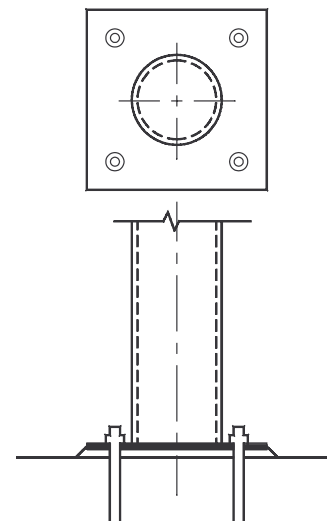
Figure CE12-2



3. Connection Detail

Open the drawing CONNDET from the Chapter 8 Exercises. Create new layers for center and hidden lines. Add centerlines as shown and use *Properties* to change the layer for the hidden lines to match the drawing in Figure CE12-3. *Save* the revised drawing.

Figure CE12-3



4. Septic Field

Complete the drawing of the plot plan with the proposed house and septic field. Determine an appropriate value for the *Ltscale*. Estimate dimensions which are not given. *SaveAs S-FIELD*.

Figure CE12-4

