

CHAPTER 45 EXERCISES

The exercises in this chapter require that you have downloaded the *WHIP!* plug-in for your internet browser.

1. Viewing DWF Files

Launch your browser and link to the sites listed below. Use the browser to view sample DWF files.

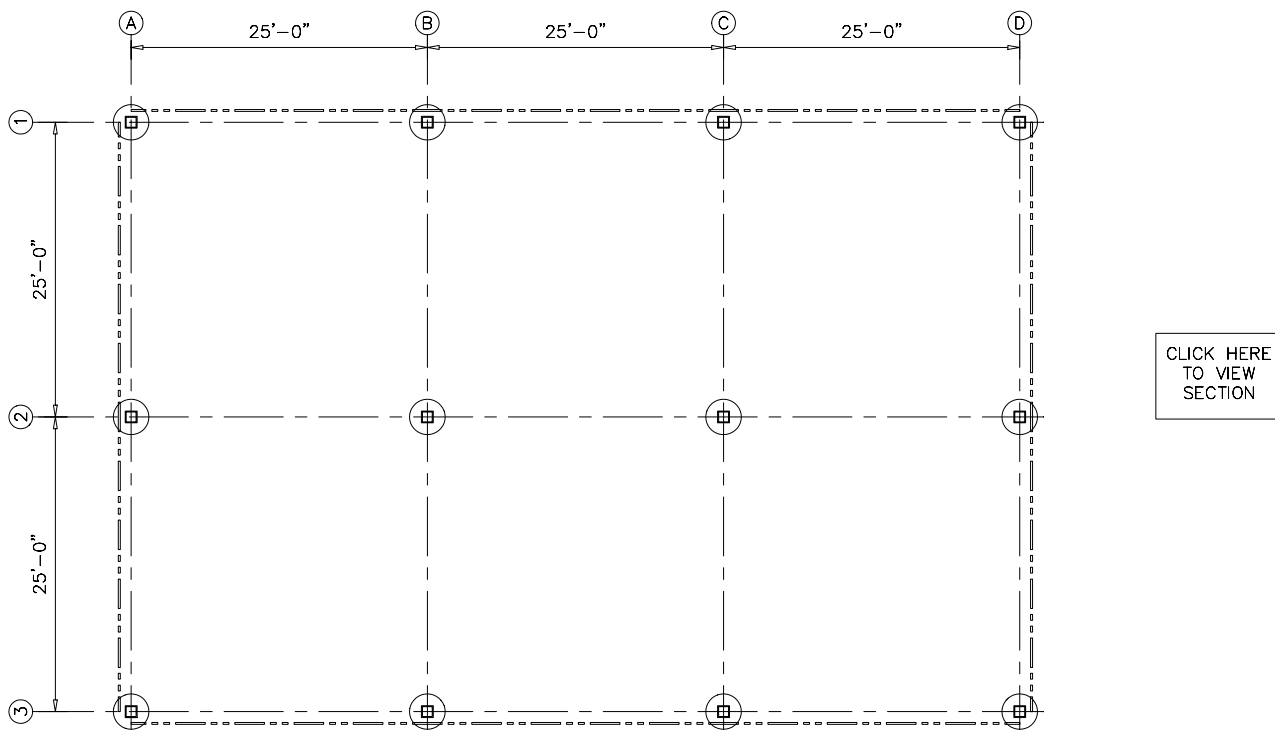
<http://www.bhsinc.com/whip.html>

<http://www.dot.co.pima.az.us/gis/maps/landbase/>

2. Creating a DWF

Open the **FRAMPLN** drawing from the Chapter 33 Exercises. Select the *Model Tab*. *Freeze* the **DIM2** layer, then *Zoom Extents*. *SaveAs CE43EX2*. Use the *Plot* command to create an *ePlot* file called **FRAMPLN.DWF**. Open the .DWF file by launching your browser and using the *Open* command under the *File* pull-down menu.

Figure CE45-1



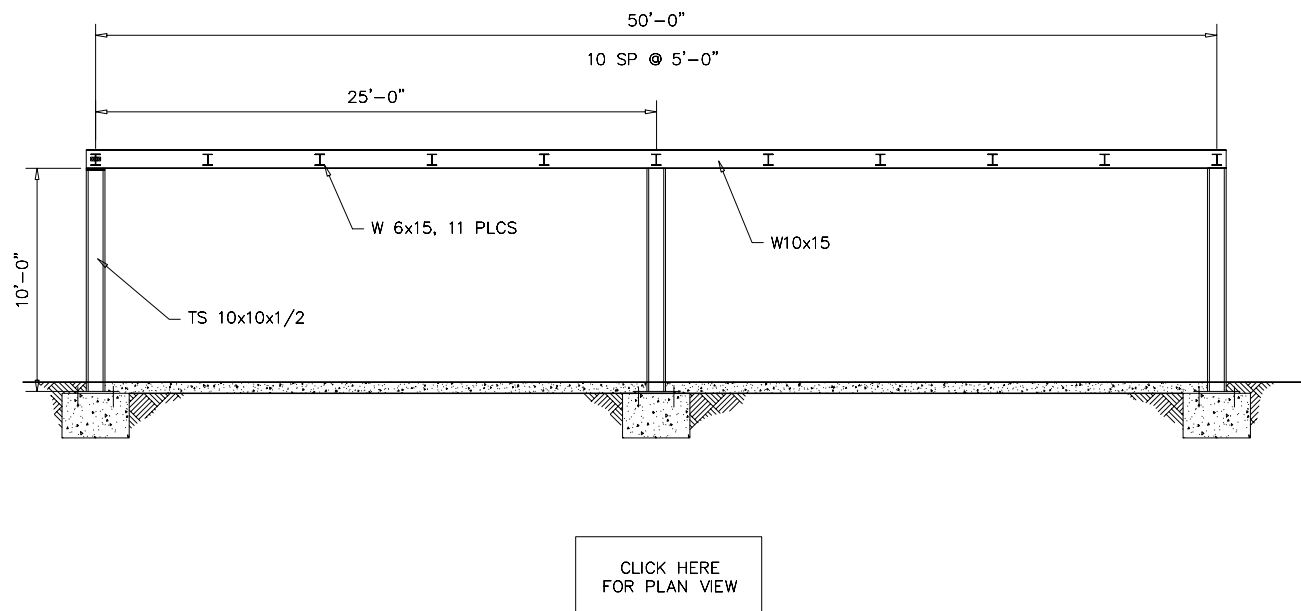
3. Using Hyperlink

Open the **FRAMEPLN** drawing from the Chapter 33 Exercises. Select the **Model Tab** and **Zoom Extents**. Draw a **Rectangle** and then use **Mtext** to create text that indicates "Click Here to View Section" as shown in Figure CE45-1. Use the **Hyperlink** command to link to the .DWF file you will create in the next step, for example "frame.dwf." (The path you enter may vary depending on your working directory.) Use **SaveAs** to name the drawing **FPLN**. Use the **Plot** command to create an **ePlot** named **FPLAN.DWF**.

Follow the same procedure with the **FRAMING** drawing, except use text indicating "Click Here for Plan View" (see Figure CE45-2). **SaveAs** **FRAME**. Use **Hyperlink** to link to "fplan.dwf." Create the **FRAME.DWF** file using **ePlot**.

Finally, launch your browser and **Open** the **FPLAN.DWF** file. Switch back and forth between the two drawings by clicking the pointer in the area indicated on the drawing.

Figure CE45-2



4. Add URL Links to Detail Drawings

From the **FRAMEPLN** drawing and the **FRAMING** drawing, create detail view drawings (of the pier blocks or the connection details of the beams) by using **Wblock**. Name the new drawings **FPLAN-DET** and **FRAME-DET**. Add appropriate text in each new drawing to view the "Full Section View" and "Full Plan View." Use **Hyperlink** to link these two files to the drawings in Exercise 3 by assigning the appropriate URLs to reference the other drawings. Next, create an additional link on each of the drawings in Exercise 3 to view the new detail drawings. Finally, create new .DWF files for each of the four drawings. When you are finished, launch your browser; you should be able to view all four drawings by these links.