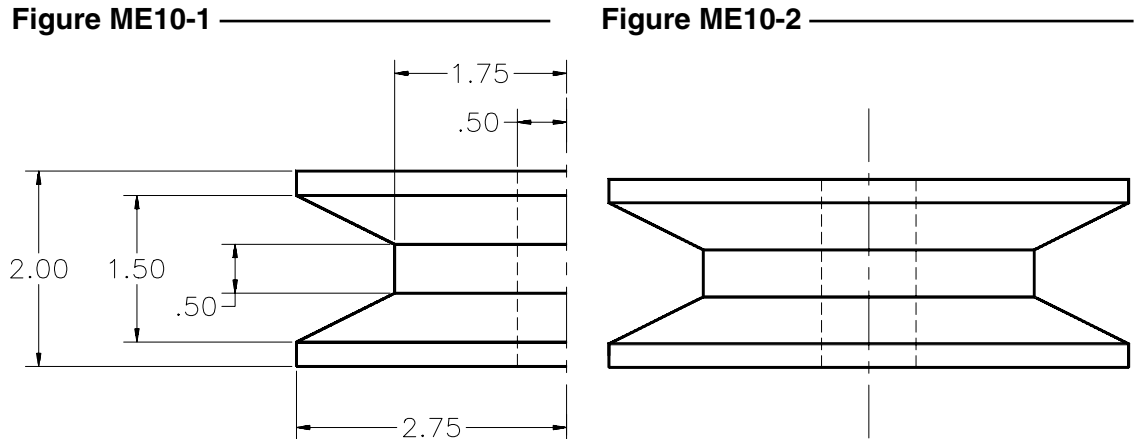


CHAPTER 10 EXERCISES

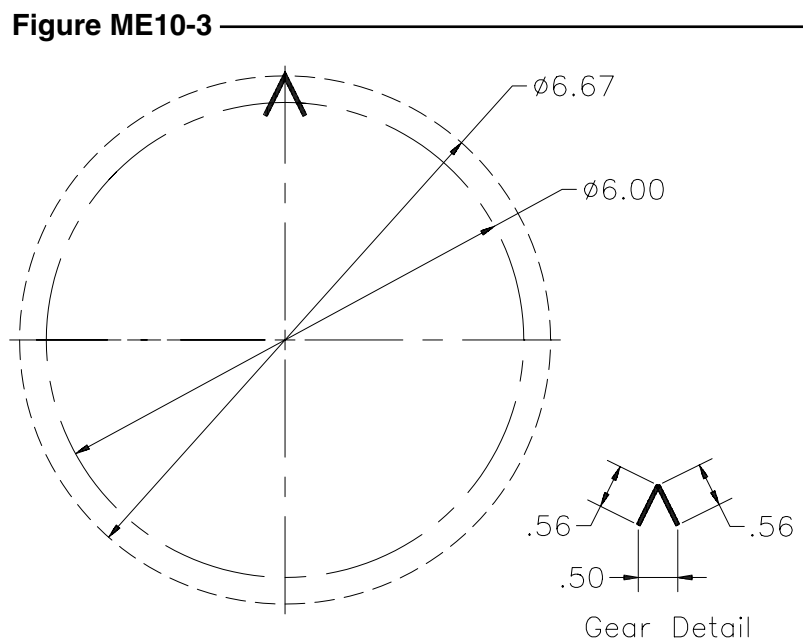
1. Pulley

Draw one side of the pulley shown in Figure ME10-1. Use the *Mirror* command to complete the other side (see Figure ME10-2). *Save* the drawing as **PULLEY**.



2. Spur Gear

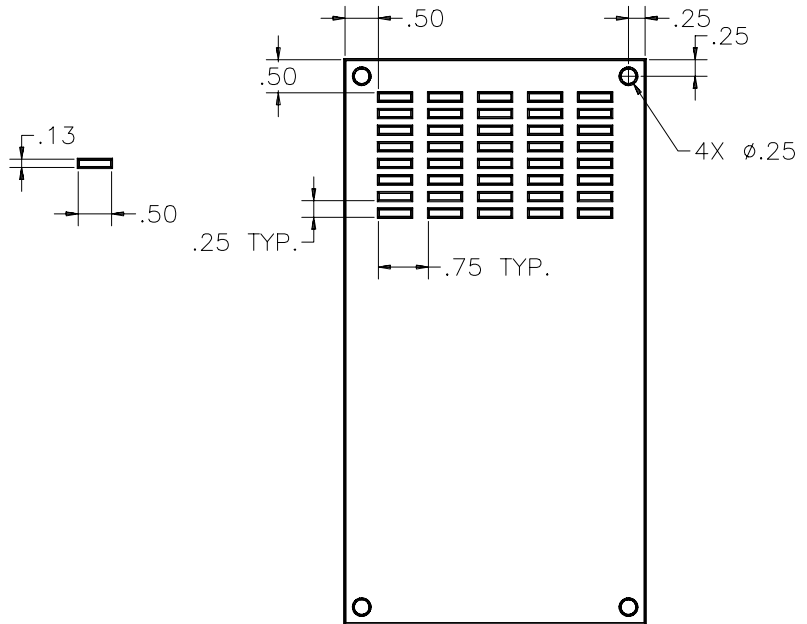
Complete the diagram of the spur gear shown in Figure ME10-3. Use the *Array* command with the *Polar* option to create 36 teeth around the entire circle. *Save* the drawing as **SGEAR**.



3. Ventilation Panel

Complete the drawing of the ventilation panel in Figure ME10-4. Use the *Array* command with the *Rectangular* option to create a total of 8 rows and 5 columns. *Save* the drawing as VENTPNL.

Figure ME10-4



4. Filter

Draw the filter shown in Figure ME10-5. Use the *Chamfer* command to create the 45 corners on the inner and outer rectangles. Complete the filter by using a *Rectangular Array* to create 7 rows and 12 columns of the .28 diameter holes. *Save* the drawing as FILTER.

Figure ME10-5

