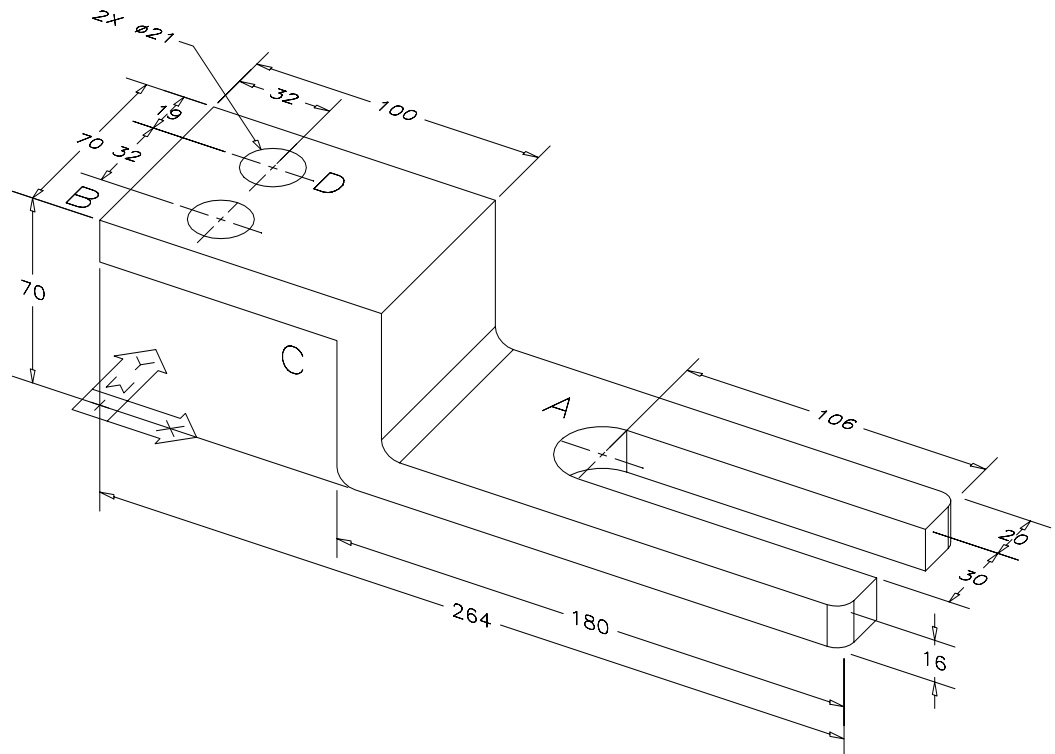


CHAPTER 34 EXERCISES

For the following exercises, refer to Figure ME34-1, the three-dimensional model of the motor plate. Points A and D represent hole centers and points B and C represent two corners of the object.

Figure ME34-1



1. Absolute Coordinates

List the coordinates of points A, B, C, and D in absolute format.

2. Relative Rectangular Coordinates

List the coordinates of points A, B, C, and D in relative rectangular format. Start with point A and move in alphabetical sequence such that point B is relative to point A, C is relative to B, and so on.

3. Cylindrical Coordinates

List the coordinates in relative cylindrical format for the following points.

- From point B to point C
- From the origin to point B
- From the origin to point C

4. *Ucsicon*

- A. What is the command sequence to turn off the display of the UCS icon?
- B. What is the command sequence to turn on the display of the UCS icon and place it at the lower left corner of the screen?
- C. Assuming that the command sequence from question B has been invoked, what is the command sequence to move the display of the UCS icon to the origin?