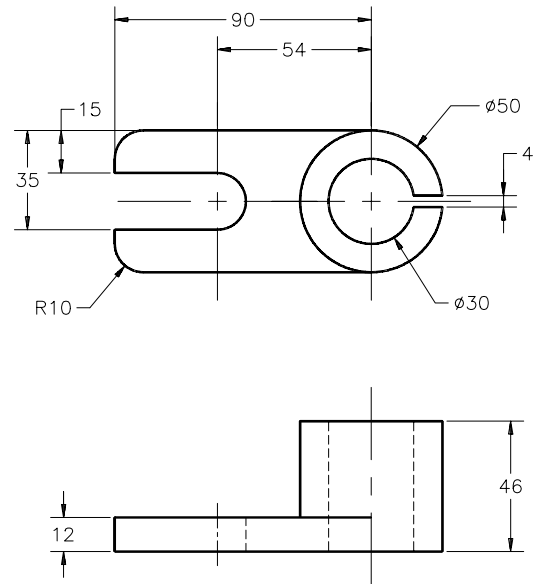


## CHAPTER 38 EXERCISES

### 1. Extrude, Union

Construct a solid model of the part shown in Figure ME38-1. Create two 2D *Pline* shapes, then use *Extrude* and *Union* to create the solid. Do not include dimensions in your drawing. *Save* the drawing as **CH38EX1-M**.

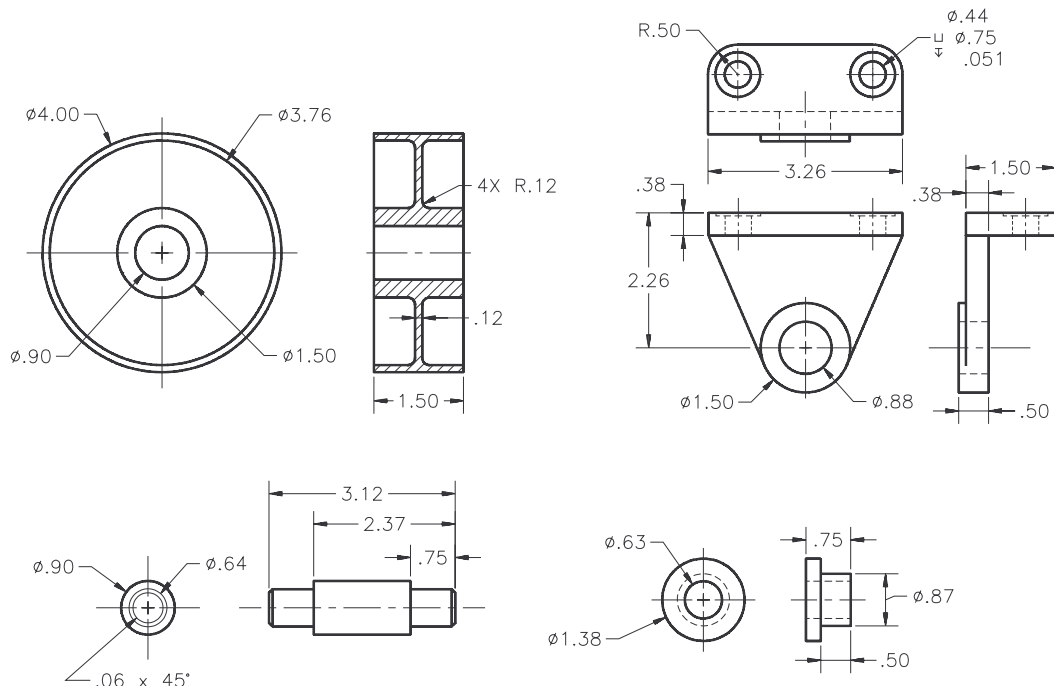
Figure ME38-1



### 2. Caster Assembly

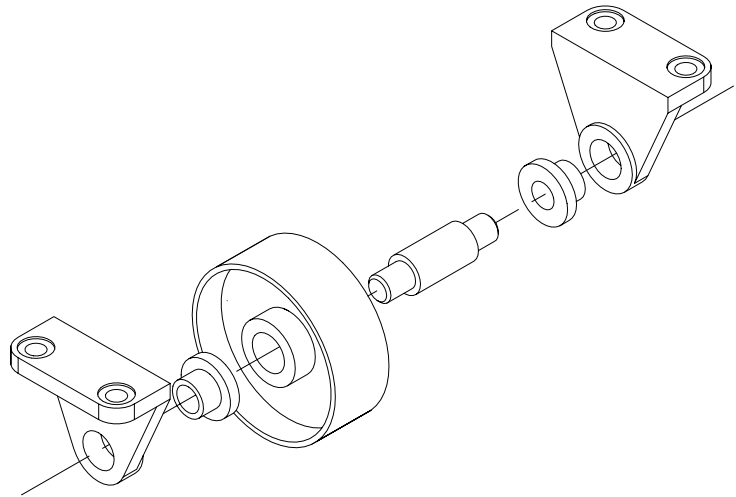
Within one drawing file, create solid models of each of the parts shown in Figure ME38-2A. Do not include dimensions in your drawing.

Figure ME38-2A



Use the *Align* command to place each part in line with their centers as shown in Figure ME38-2B. *Save* the drawing as **CH38EX2-M**.

**Figure ME38-2B**



### 3. Mounting Bracket

Construct a solid model of the mounting bracket shown in Figure ME38-3. Do not include dimensions in your drawing. *Save* the drawing as **CH38EX3-M**.

**Figure ME38-3**

