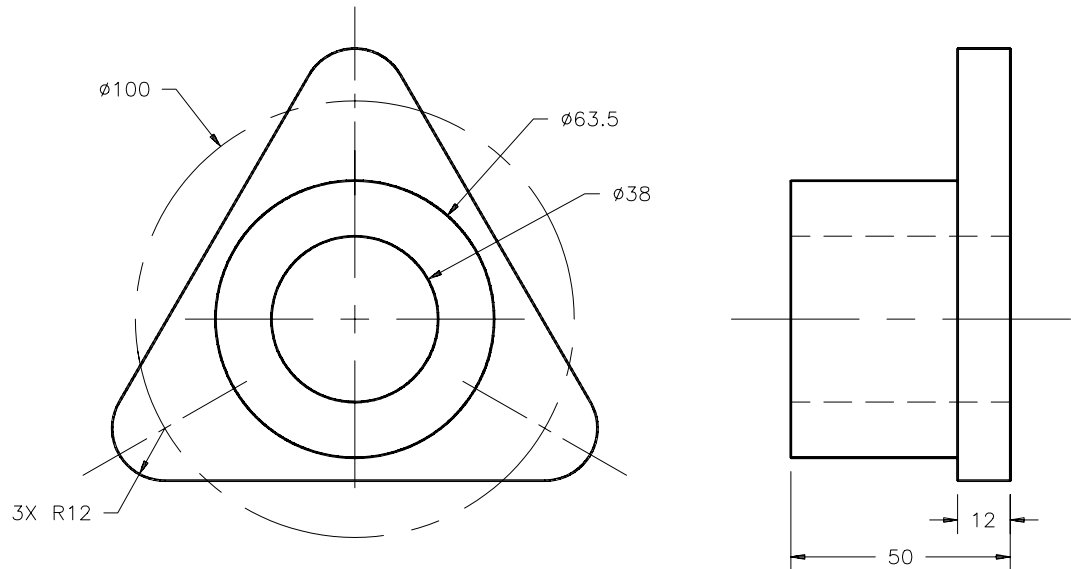


## CHAPTER 40 EXERCISES

### 1. Column Support

Create a surface model of the column support shown in Figure ME40-1. Consider using *Regions* in your design. Save the drawing as **CH40EX1-M**.

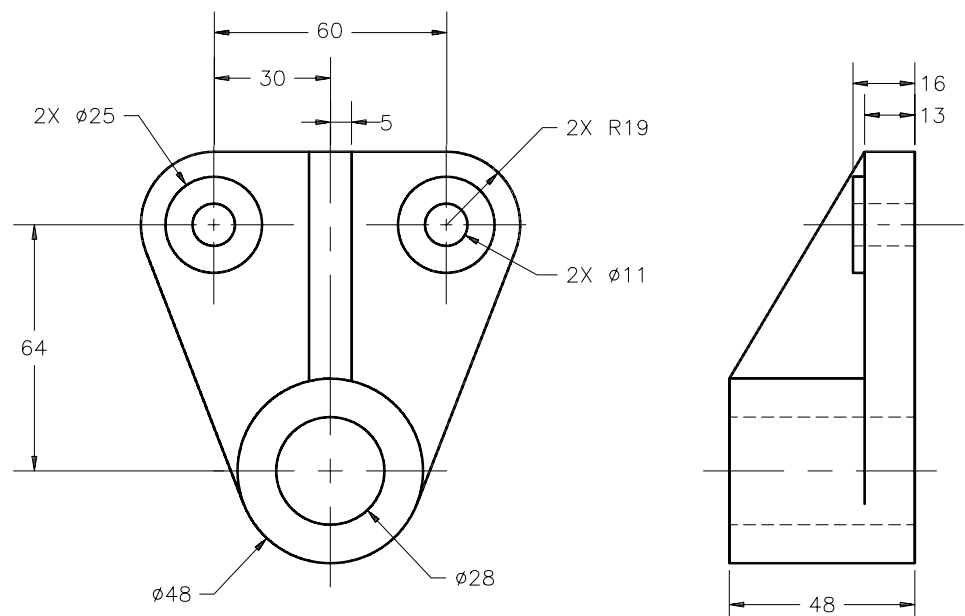
**Figure ME40-1**



### 2. Feed Rod Bearing

Draw a surface model of the feed rod bearing shown in Figure ME40-2. This design is also a good candidate for using *Regions*. Save the drawing as **CH40EX2-M**.

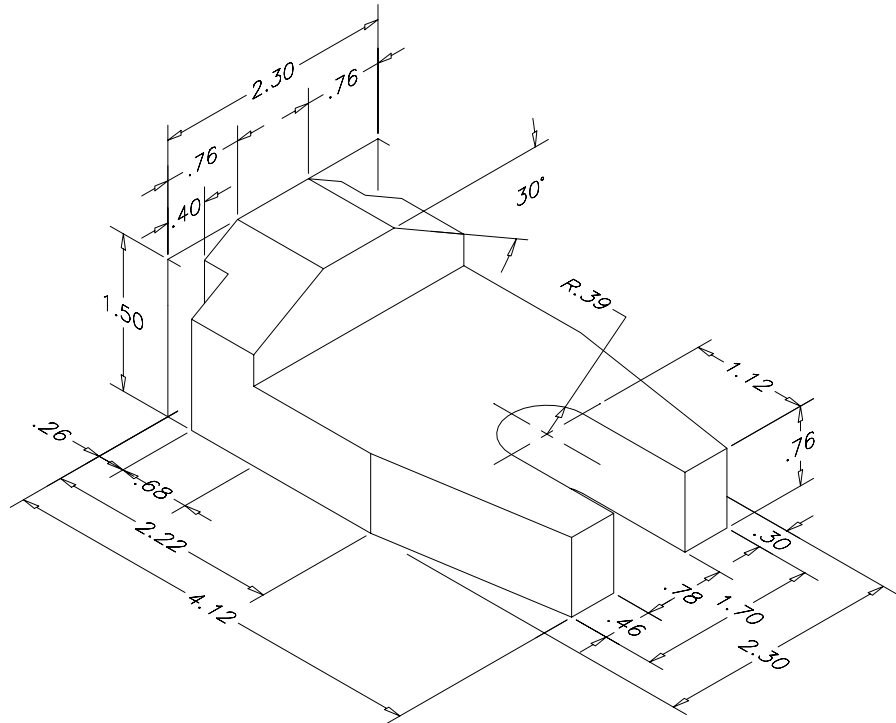
**Figure ME40-2**



3. Finger Guide

Create a surface model of the finger guide shown in Figure ME40-3. Save the drawing as CH40EX3-M.

Figure ME40-3



4. Bearing

Complete a surface model of the bearing shown in Figure ME40-4. The use of *Regions* would make your design more efficient. Save the drawing as CH40EX4-M.

Figure ME40-4

