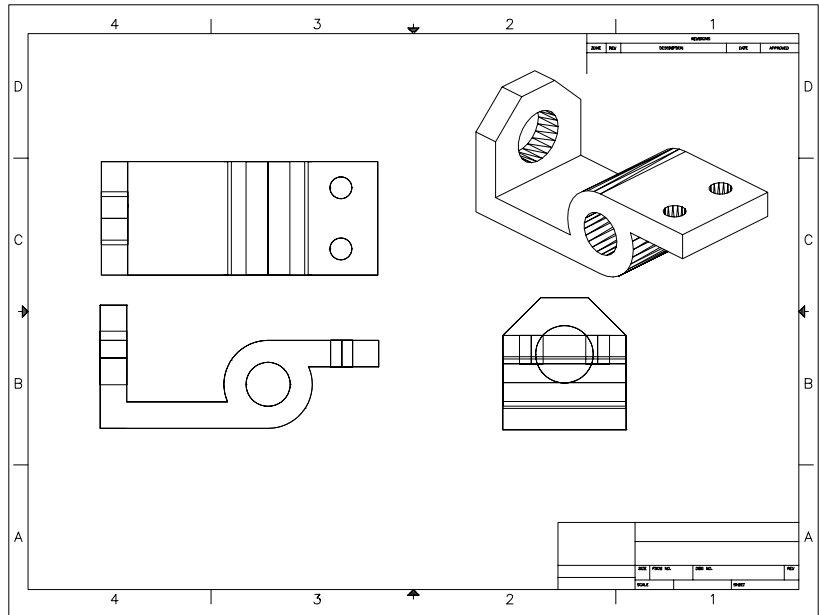


CHAPTER 42 EXERCISES

1. *Mvsetup*

Open the drawing that you created in Exercise 3 from Chapter 38. Using *Mvsetup*, create *Viewports* using the *Standard Engineering* option and *Insert* a "C" Size Titleblock. Your drawing should look similar to Figure ME42-1. *SaveAs* CH42EX1-M.

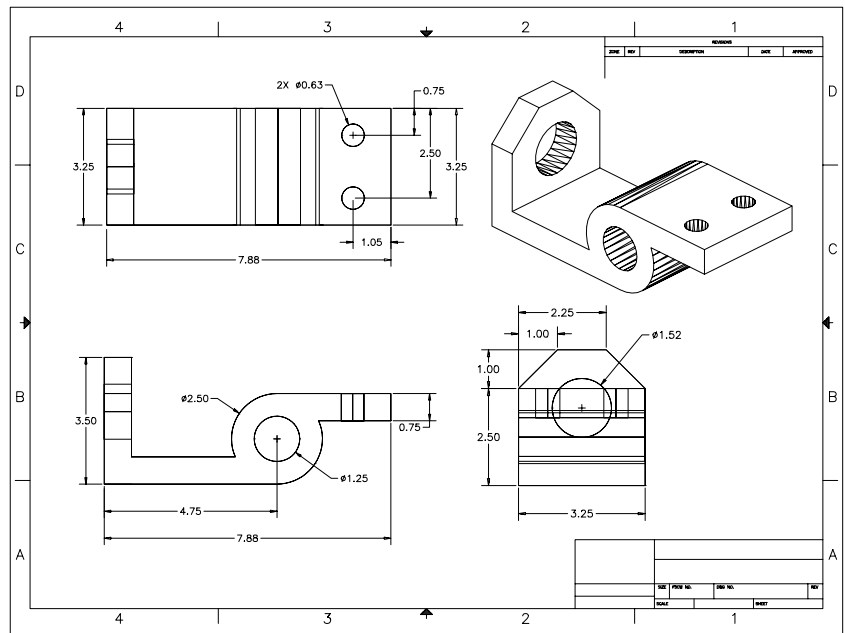
Figure ME42-1



2. Creating Dimensions

Open the CH42EX1-M drawing from the previous exercise. Dimension the drawing as shown in Figure ME42-2. Create a layer for each of the three dimension planes (one for each viewport). If you need help, follow the procedures outlined in Chapter 42. *SaveAs* CH42EX2-M.

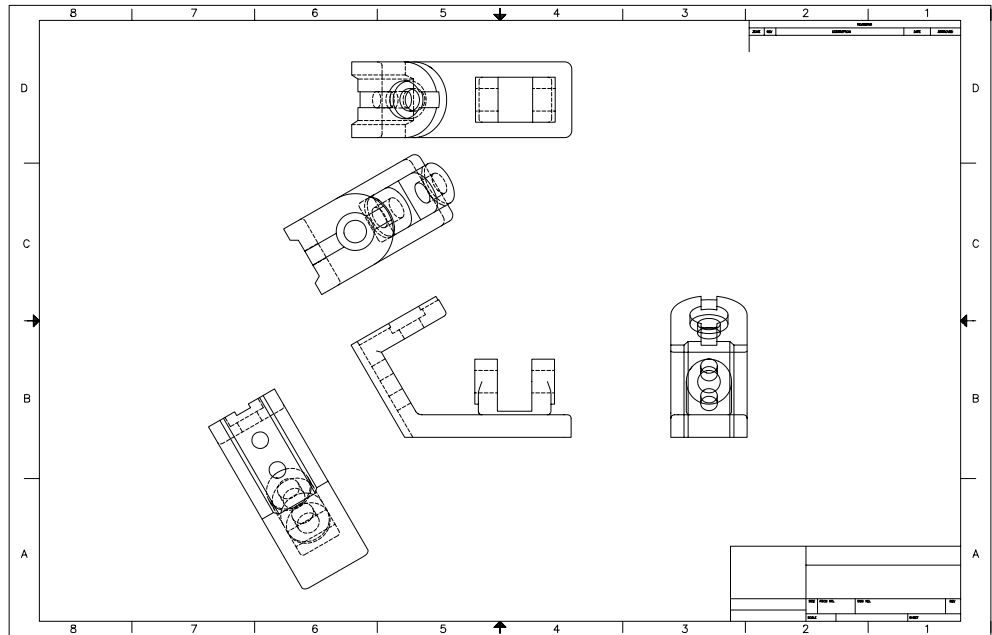
Figure ME42-2



3. Solview and Soldraw

Open CH38EX4-M that you created in Chapter 38 Exercises. Change the UCS so that it is parallel with the front profile of the model. Activate a **Layout** tab. Use the **Page Setup** dialog box to set a **Plot Device** and **Paper size** for a metric "D" size sheet. Use **Solview** with the **UCS** option to create the front view using a **Scale** factor of 1. Use the **Ortho** option to create the top and right side views, then use the **Auxiliary** option to create views to display the two inclined surfaces as shown in Figure ME42-3. Finally, **Insert** a title block, **Freeze** the viewport borders, and **SaveAs** CH42EX3-M.

Figure ME42-3



4. Solview and Soldraw

Create a multi-view drawing from the solid model you created of the caster assembly (CH38EX2-M) from Chapter 38 Exercises. Use **Solview** and **Soldraw** to create a multiview drawing as shown in Figure ME42-4. **SaveAs** CH42EX4-M.

Figure ME42-4

