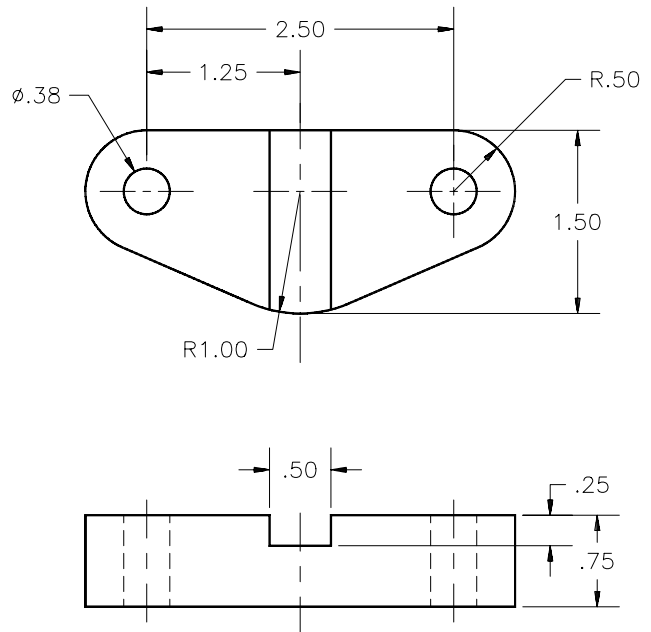


CHAPTER 24 EXERCISES

1. Feeder Plate

Complete three views of the drawing shown in Figure ME24-1. Use different *Layers* to draw each linetype. *Insert* an appropriate border and titleblock. *Save* the drawing as **CH24EX1-M**.

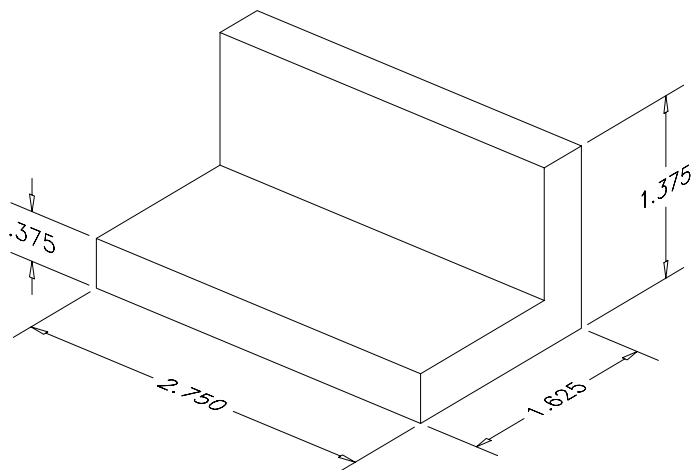
Figure ME24-1



2. Angle Bracket

Complete all the views necessary to describe the angle bracket shown in Figure ME24-2. Use an appropriate border and titleblock. *Save* the drawing as **CH24EX2-M**.

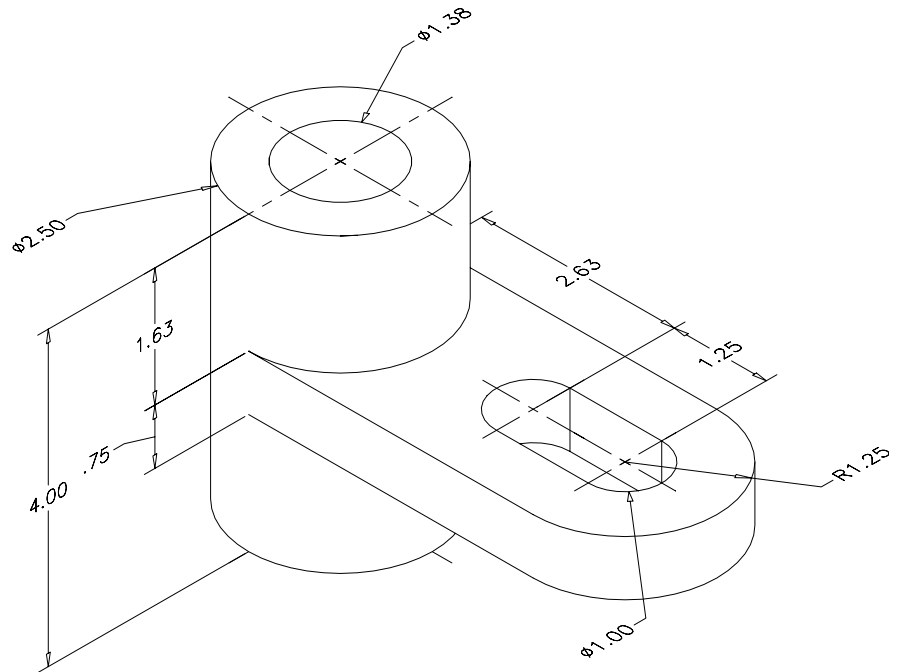
Figure ME24-2



3. Shaft Support

Complete a multiview drawing of the shaft support shown in Figure ME24-3. Save the drawing as CH24EX3-M.

Figure ME24-3



4. Lift Block

Create a multiview drawing of the lift block shown in Figure ME24-4 complete with three views. Save the drawing as CH24EX4-M.

Figure ME24-4

