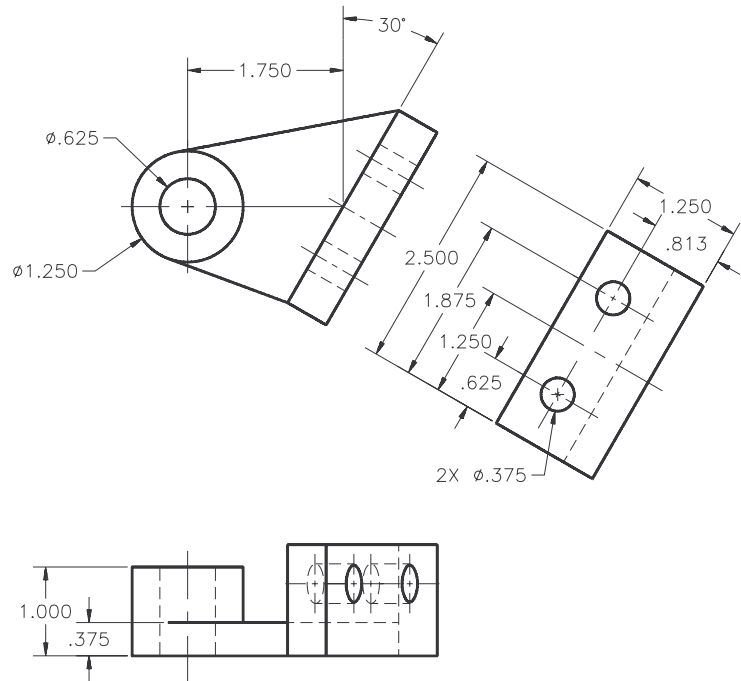


CHAPTER 27 EXERCISES

1. Shaft Support

Complete the front, top, and auxiliary view of the shaft support shown in Figure ME27-1. Do not include dimensions in your drawing. When completed, *Save* the drawing and assign the name **CH27EX1-M**.

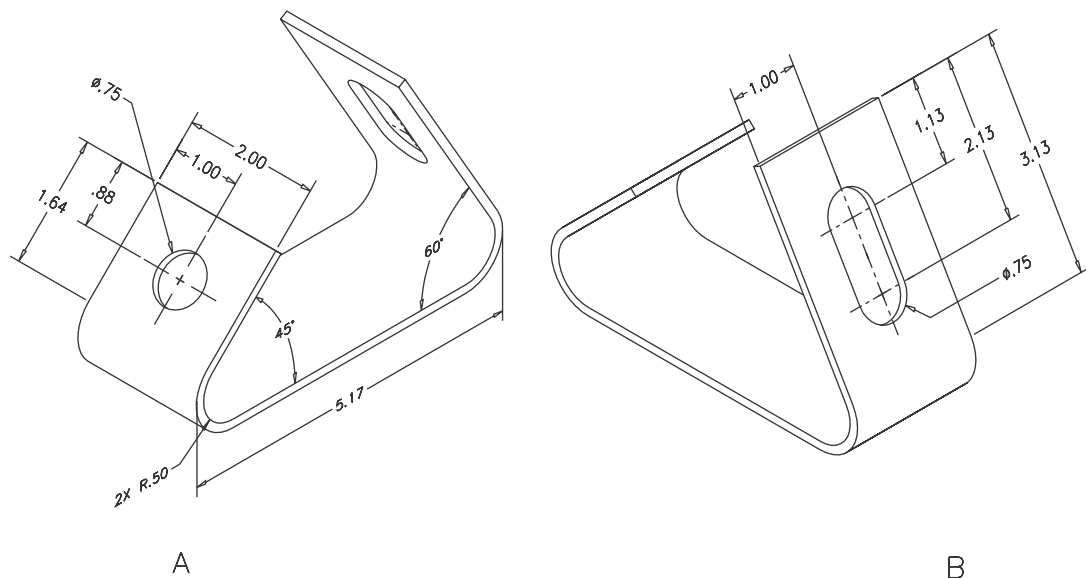
Figure ME27-1



2. Mounting Bracket

Complete the front view and two primary auxiliary views of the mounting bracket shown in Figure ME27-2 views A and B. The thickness of the part is **.125**. Do not include dimensions in your drawing. *Save* the drawing as **CH27EX2-M**.

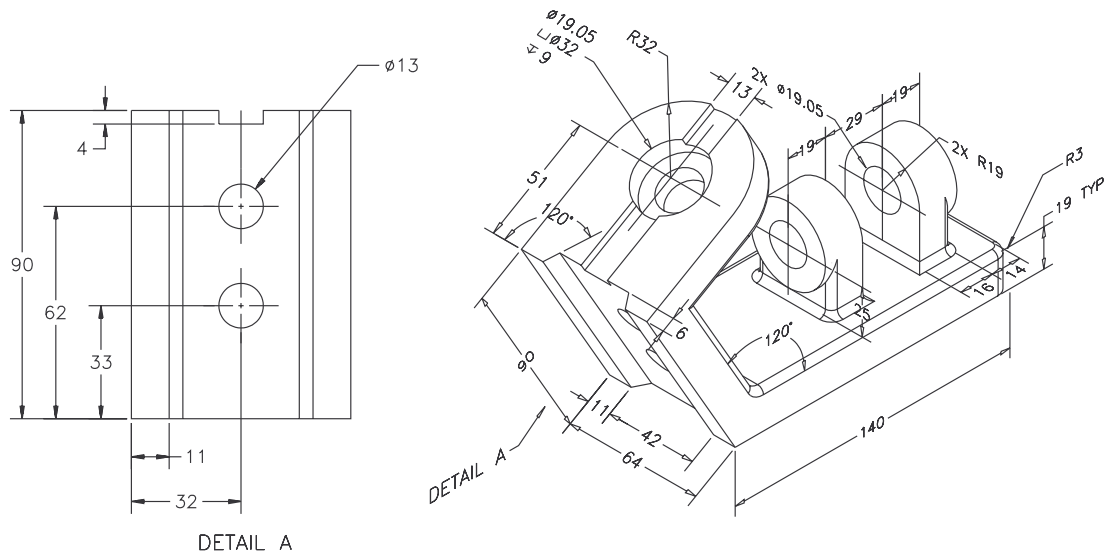
Figure ME27-2



3. Control Bracket

Draw a front view and two partial auxiliary views of the control bracket shown in Figure ME27-3. Do not include dimensions in your drawing. Save the drawing as **CH27EX3-M**.

Figure ME27-3



4. Stop Plate

Complete the top and front views of the stop plate shown in Figure ME27-4. Add the necessary partial auxiliary view of the angled surface. Do not include dimensions in your drawing. Save the drawing as **CH27EX4-M**.

Figure ME27-4

