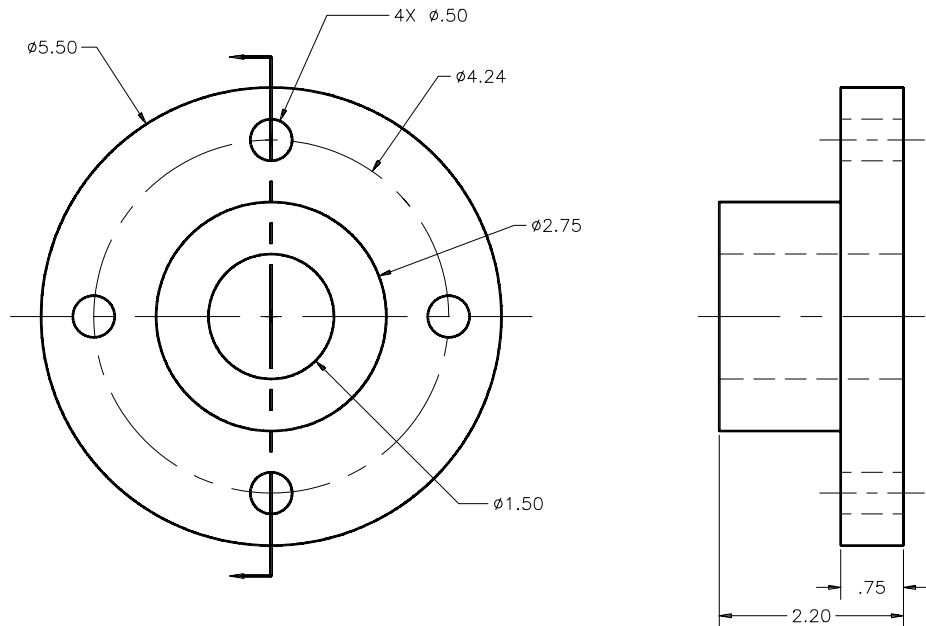


## CHAPTER 26 EXERCISES

### 1. Bearing

Draw the two views of the bearing displayed in Figure ME26-1, but convert one view to a full section as indicated. *Save* the drawing as CH26EX1-M.

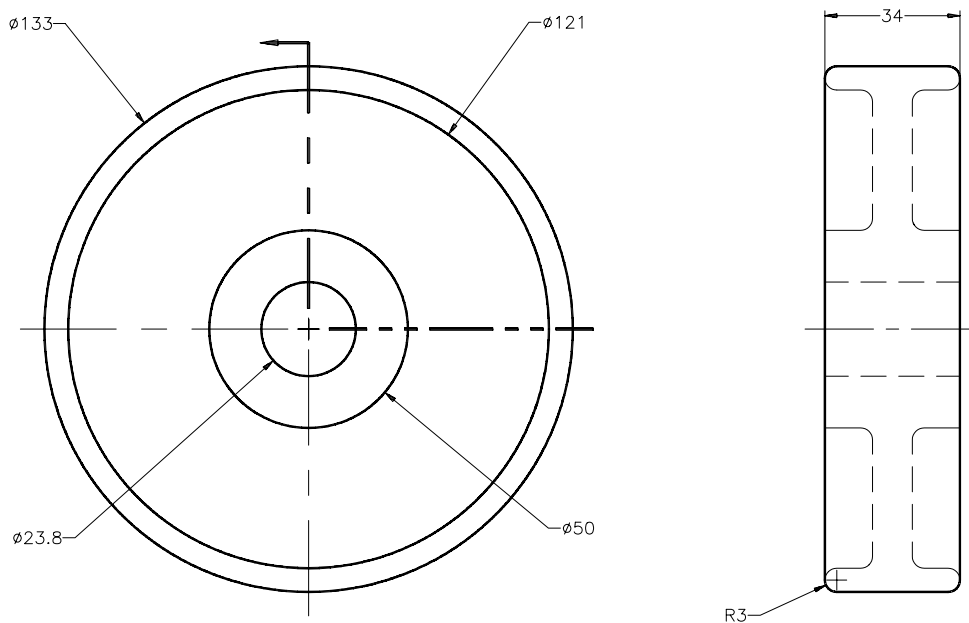
Figure ME26-1



### 2. Truck Wheel

Draw two views of the truck wheel shown in Figure ME26-2. Convert one view to a half section as indicated. *Save* the drawing as CH26EX2-M.

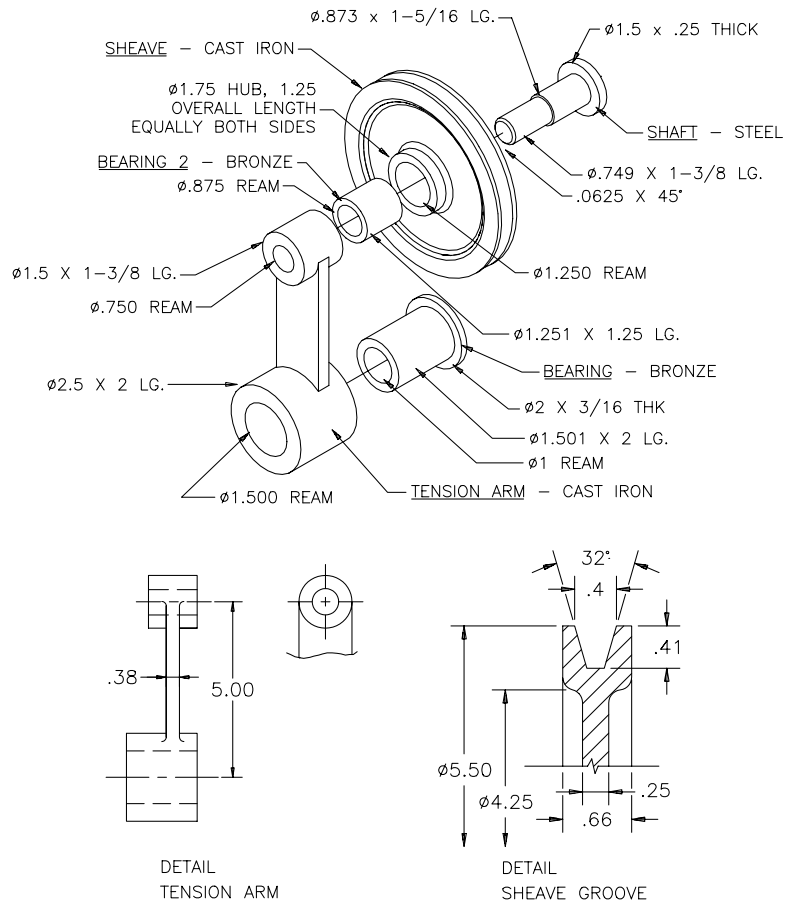
Figure ME26-2



### 3. Idler Pulley

Draw the front and side views of the assembled mechanism shown in Figure ME26-3. Select the two views that most clearly show the order of assembly. Show one of these views in full section. Plan to plot on a "B" size sheet. Omit all dimensions and use the proper sectioning symbols for the designated materials. *Save* the drawing as CH26EX3-M.

Figure ME26-3



### 4. Die Casting

Create the two views of the die casting shown in Figure ME26-4. Add the offset section of the die casting as indicated by the cutting plane line in Figure ME26-4. *Save* the drawing as CH26EX4-M.

Figure ME26-4

