

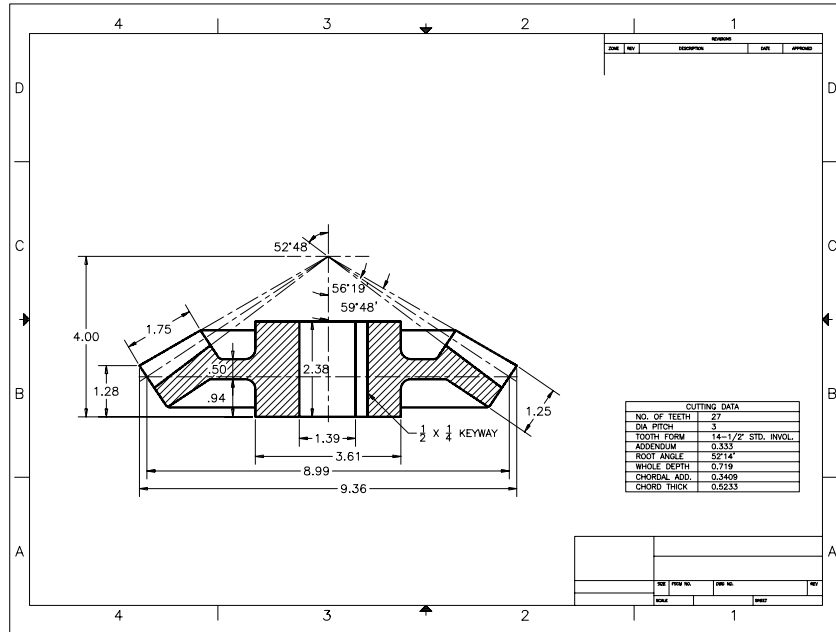
## CHAPTER 32 EXERCISES

For the following exercises you will need to download the following files from the [www.mhhe.com/leach](http://www.mhhe.com/leach) web site: **BEV.GIF**, **DFLO.JPG**, **PLATE.BMP** and **CASTER.TIF**.

### 1. Bevel Gear

Complete the drawing of the bevel gear shown in Figure ME32-1. Activate a layout and *Insert* a titleblock and border. Use *Imageattach* to place the BEV.GIF file in the upper right corner of the drawing. *Save* the drawing as **CH32EX1-M**.

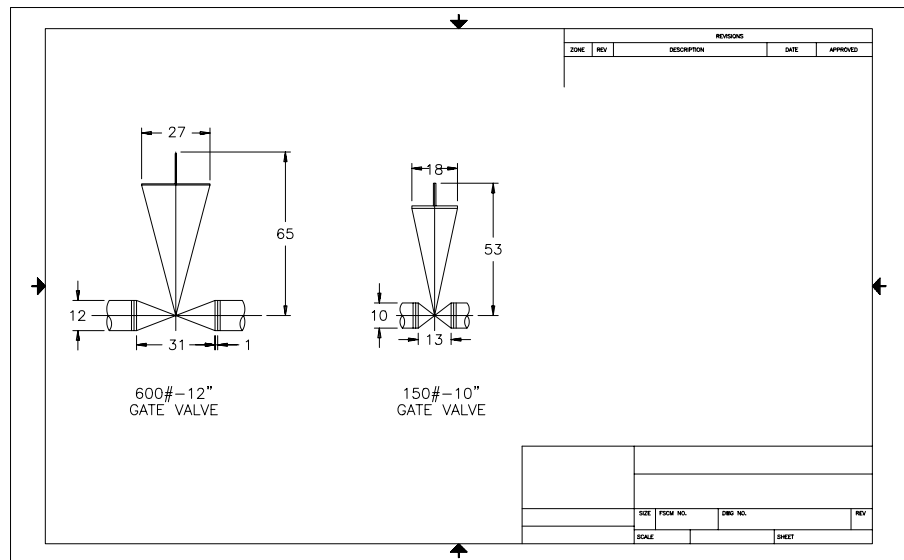
Figure ME32-1



### 2. Gate Valves

Complete the drawing of the gate valves shown in Figure ME32-2. Activate a layout and *Insert* a titleblock and border. Use *Imageattach* to place the DFLO.JPG file on the right side of the drawing. *Save* the drawing as **CH32EX2-M**.

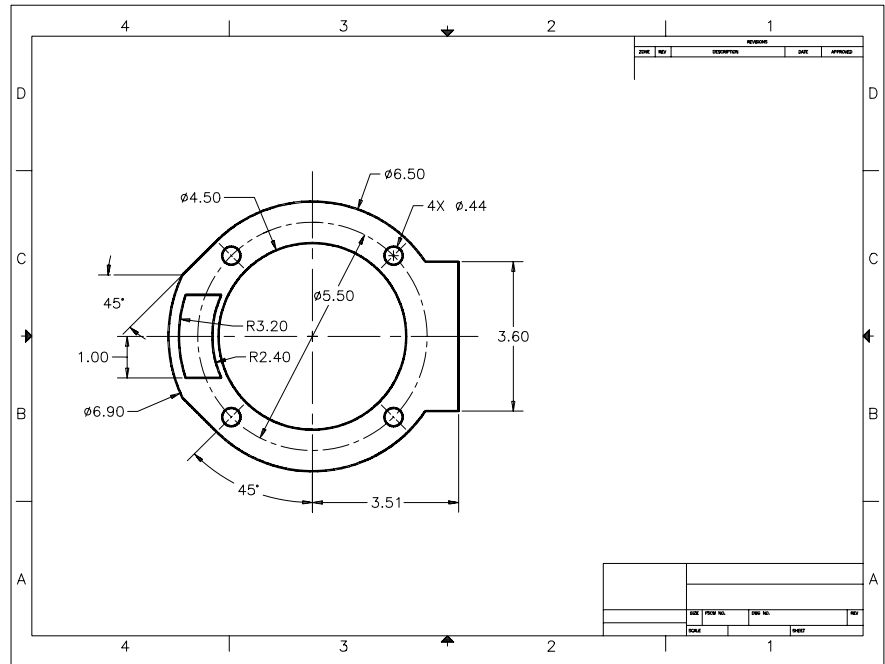
Figure ME32-2



3. Plate

Complete the drawing of the plate shown in Figure ME32-3. Activate a layout and *Insert* a titleblock and border. Use *Imageattach* to place the **PLATE.BMP** file on the right side of the drawing. Use *Imageadjust* to adjust the appearance of the image. *Save* the drawing as **CH32EX3-M**.

Figure ME32-3



4. Caster Assembly

*Open* exercise **CH30EX1-M** from Chapter 30. Activate a layout and *Insert* a titleblock and border. Use *Imageattach* to place the **CASTER.TIF** file in the open area on the right side of the drawing as shown in Figure ME32-4. Use *Imageadjust* to adjust the appearance of the image. *Save* the drawing as **CH32EX4-M**.

Figure ME32-4

