
CHAPTER 7

Flow and Error Control

Multiple-Choice Questions

1. d
3. b
5. d
7. a
9. d
11. c
13. d
15. b
17. a
19. d
21. b
23. d
25. b

Exercises

27. See Figure 7.1
29.
 - a. The number refers to the receipt of an acceptable frame.
 - b. The number refers to the next expected frame.
 - c. The number refers to the next expected frame.
31. Four bits.
33. 0, 1, 2, 3, 4, 5, 6, 7, 0, 1, 2, 3, 4, 5, 6, 7, 0, 1, 2, 3, 4, 5, 6, 7, 0, 1, 2
35. See Figure 7.2.
37. See Figure 7.3.
39. See Figure 7.4.

Figure 7.1 Exercise 27

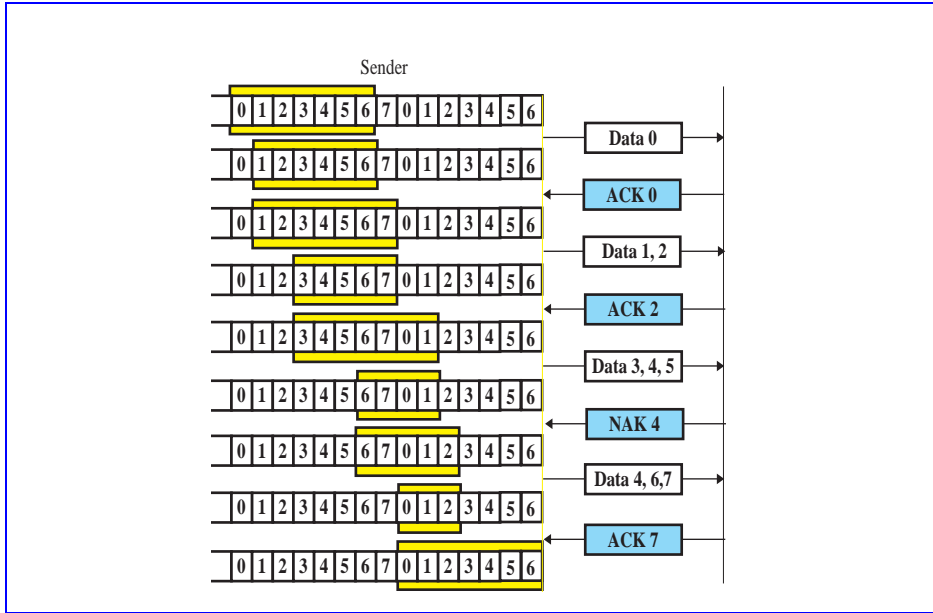
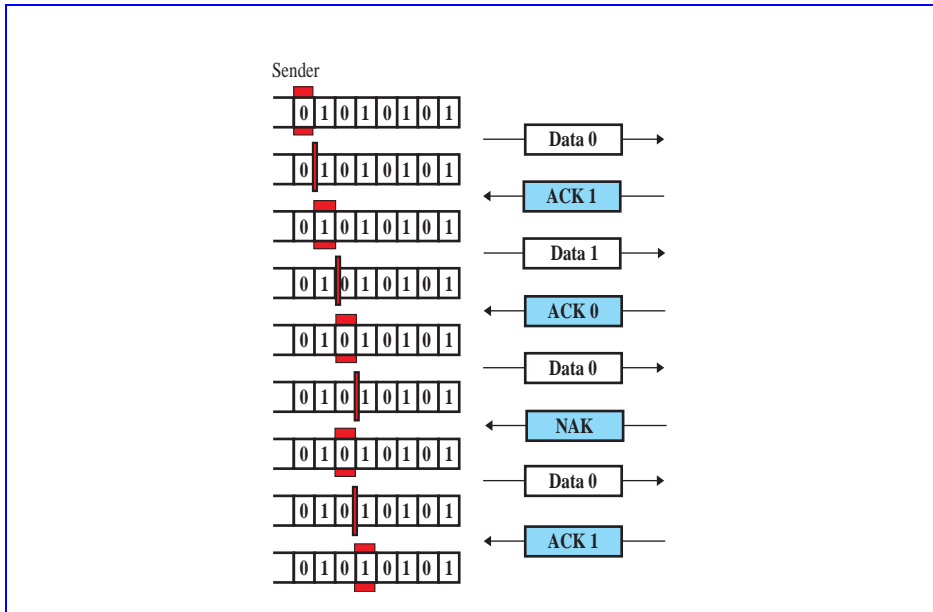


Figure 7.2 Exercise 35



- 41. 26 ms
- 43. 26 ms
- 45. See Figure 7.5.

47. See Figure 7.6.

Figure 7.6 Exercise 47

