

---

## CHAPTER 9

# *LLC*

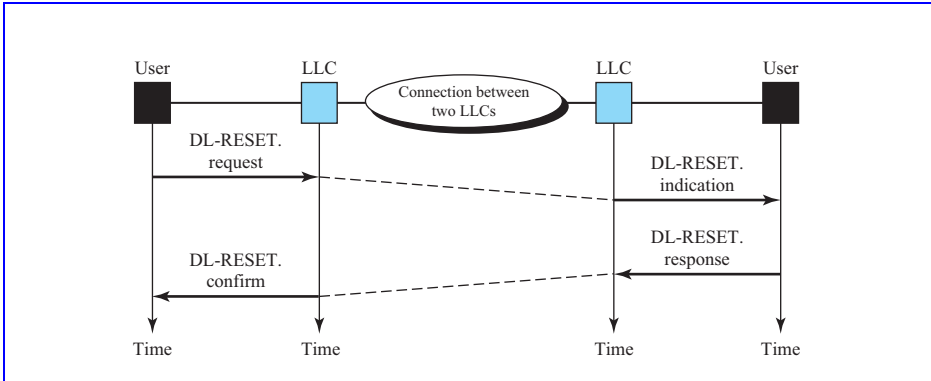
### Multiple-Choice Questions

1. b
3. c
5. c
7. d
9. c
11. c
13. b
15. c
17. a
19. c
21. d
23. c
25. a
27. c
29. d
31. c

### Exercises

33. See Figure 9.1.
35.
  - a. 1
  - b. 4
  - c. 6
  - d. yes
- 37.

**Figure 9.1** Exercise 33



- a. U
  - b. Not applicable
  - c. Not applicable
  - d. no
39. 11??0???
41. 01000000 and 00010101
43. See Figure 9.2.

**Figure 9.2** Exercise 43

