
CHAPTER 14

ATM LANs

Multiple-Choice Questions

1. a
3. b
5. c
7. b
9. a
11. c
13. b
15. a
17. d
19. b
21. a
23. a

Exercises

25. The CRC, ED, and FS are deleted from the Token Ring frame; one field (LANE header) is added to the LANE Token Ring frame.
27. See Figure 14.1.
29. See Figure 14.2.
31. See Figure 14.3.

Figure 14.1 Exercise 27

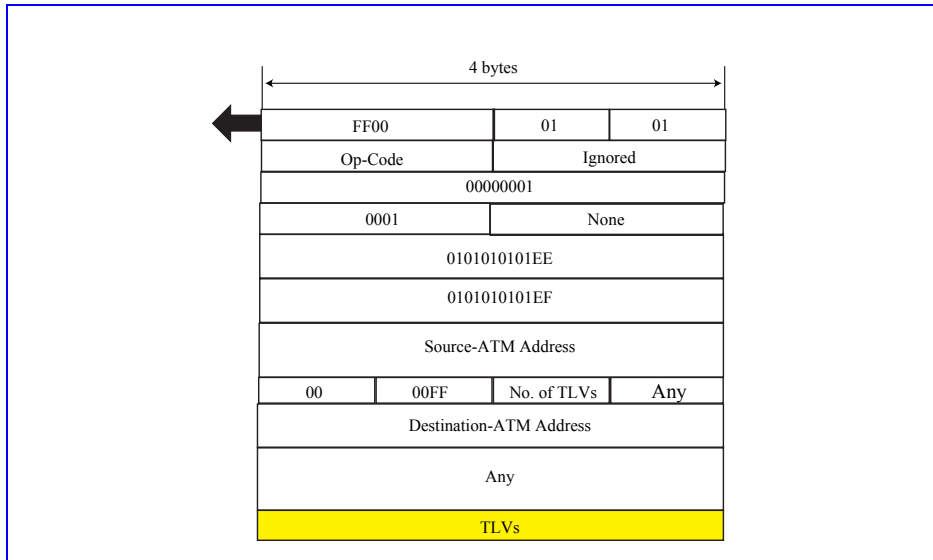


Figure 14.2 Exercise 29

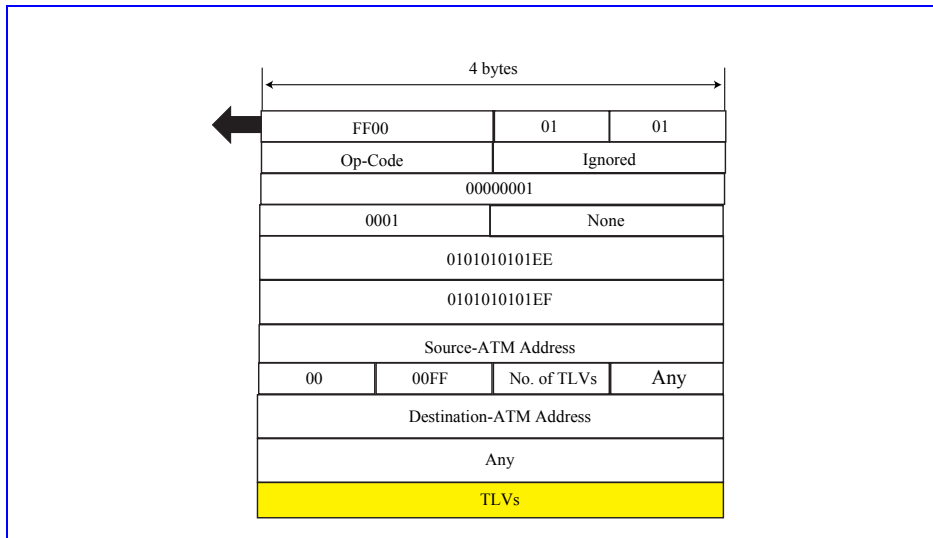


Figure 14.3 Exercise 31

