

AN7223

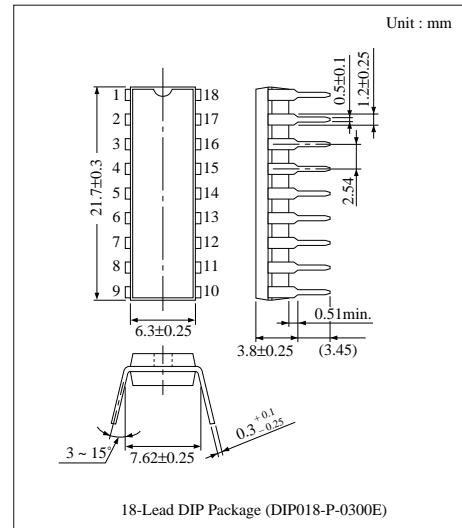
AM Tuner, FM/AM IF Amplifier Circuit for Radio Cassette Recorder

Overview

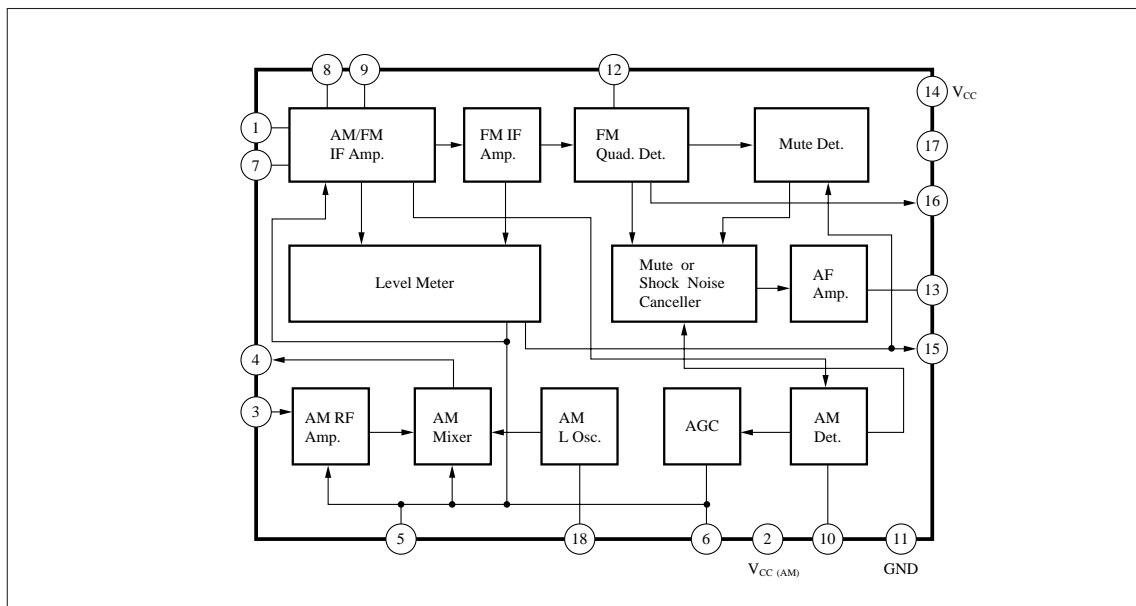
The AN7223 is an IC designed for high-class radio cassette recorder with multifunctioned FM/AM IF system.

Features

- Wide operating supply voltage range : $V_{CC} = 2.8V \sim 12V$
- Incorporating both FM and AM detectors
- Incorporating a level indicator output (FM/AM common use)
- AM : High sensitivity, including RF amplifier
- Low power consumption
- Muting control
- AFC control
- Fewer external parts
- High stability on both AM and FM
- Low shock noise level from function switch operation
- SW band available ($f = 30MHz$)



Block Diagram



■ Pin Descriptions

Pin No.	Pin Name	Pin No.	Pin Name
1	FM IF Amp. Input	10	AM Detection Output
2	V _{CC} (AM)	11	GND
3	AM RF Amp. Input	12	FM Detector Coil
4	AM Mixer Output	13	AF Output
5	AGC Output (2)	14	V _{CC}
6	AGC Output (1)	15	Level Meter Output
7	AM IF Amp. Input	16	AFC Output
8	IF By-pass	17	Reference Voltage
9	IF By-pass	18	Local Oscillation

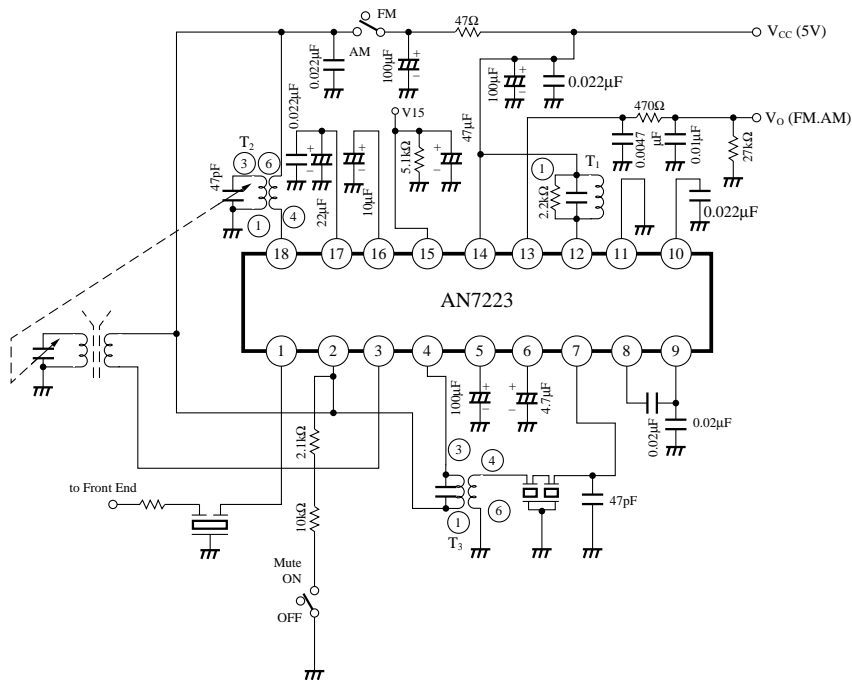
■ Absolute Maximum Ratings (Ta=25°C)

Parameter	Symbol	Rating	Unit
Supply Voltage	V _{CC}	14.4	V
Power Dissipation	P _D	317	mW
Operating Ambient Temperature	T _{opr}	-20 ~ + 75	°C
Storage Temperature	T _{stg}	-55 ~ + 150	°C

■ Electrical Characteristics (V_{CC}=5V, Ta= 25°C)

	Parameter	Symbol	Condition	min.	typ.	max.	Unit
FM	Total Circuit Current	I _{tot}	(DC measurement)	9	14	20	mA
	Demodulation Output Level	v _{O (FM)}	V _i = 80dBμ, f=10.7MHz, f _{dev.} = 22.5kHz, f _m = 400Hz	75	100	125	mV
	Limiting Sensitivity	V _{i (lim)}	Input at v _O = -3dB	41.5	44.5	47.5	dBμ
	Muting Sensitivity	V _{i (mute)}	Input at v _O = less than -20dB	45	50	59	dBμ
	Signal Meter Driving Output 1	V ₁₅	V _i = 50dBμ, f=10.7MHz, f _{dev.} = 22.5kHz, f _m = 400Hz	120	600	1150	mV
	Signal Meter Driving Output 2	V ₁₅	V _i = 80dBμ, f= 10.7MHz, f _{dev.} = 22.5kHz, f _m = 400Hz	1.14	1.26	1.42	V
AM	Total Circuit Current	I _{tot}	(DC measurement)	8	13	19	mA
	Detection Output Level	v _{O (AM)}	V _i = 80dBμ, f= 1MHz, Mod.= 30%, f _m = 400Hz	60	80	100	mV
	Max.Sensitivity	S _{max.}	Input at v _O = 10mV	4.5	9.5	12.5	dBμ
	Signal Meter Driving Output 1	V ₁₅	V _i = -10dBμ, f= 1MHz, Mod.= 30%, f _m = 400Hz	0	—	130	mV
		Signal Meter Driving Output 2	V ₁₅	V _i = 80dBμ, f= 1MHz, Mod.= 30%, f _m = 400Hz	1.12	1.25	1.38

■ Application Circuit



■ Coil Specifications

Symbol	Use, Freq	Type No.	Maker	Connection Diagram	Number of Turns	Tuning Cap.	Unloaded Q
T ₁	FM Quad. Coil 10.7MHz	EIF-7S752A	MATSUSHITA		1 - 2 8T 2 - 3 5T 4 - 6 3T	100pF	90±20%
T ₂	AM MW Osc. Coil	ELL-7S754	MATSUSHITA		1 - 2 4T 2 - 3 125T 4 - 6 7T	—	95±20%
T ₃	AM Mix. Output 455kHz	EIA-7S802A	MATSUSHITA		3 - 2 35T 6 - 4 10T 2 - 1 19T	1500pF	60±30%

■ Ceramic Filter Specification

Symbol	Use	Type No.	Maker	Center Freq.	Band Width	Loss
CF ₁	AM IF	CFM2 - 455B	TOKO	455kHz	7kHz (-6dB)	2.6dB

Request for your special attention and precautions in using the technical information and semiconductors described in this material

- (1) An export permit needs to be obtained from the competent authorities of the Japanese Government if any of the products or technologies described in this material and controlled under the "Foreign Exchange and Foreign Trade Law" is to be exported or taken out of Japan.
- (2) The technical information described in this material is limited to showing representative characteristics and applied circuit examples of the products. It does not constitute the warranting of industrial property, the granting of relative rights, or the granting of any license.
- (3) The products described in this material are intended to be used for standard applications or general electronic equipment (such as office equipment, communications equipment, measuring instruments and household appliances).
Consult our sales staff in advance for information on the following applications:
 - Special applications (such as for airplanes, aerospace, automobiles, traffic control equipment, combustion equipment, life support systems and safety devices) in which exceptional quality and reliability are required, or if the failure or malfunction of the products may directly jeopardize life or harm the human body.
 - Any applications other than the standard applications intended.
- (4) The products and product specifications described in this material are subject to change without notice for reasons of modification and/or improvement. At the final stage of your design, purchasing, or use of the products, therefore, ask for the most up-to-date Product Standards in advance to make sure that the latest specifications satisfy your requirements.
- (5) When designing your equipment, comply with the guaranteed values, in particular those of maximum rating, the range of operating power supply voltage and heat radiation characteristics. Otherwise, we will not be liable for any defect which may arise later in your equipment.
Even when the products are used within the guaranteed values, redundant design is recommended, so that such equipment may not violate relevant laws or regulations because of the function of our products.
- (6) When using products for which dry packing is required, observe the conditions (including shelf life and after-unpacking standby time) agreed upon when specification sheets are individually exchanged.
- (7) No part of this material may be reprinted or reproduced by any means without written permission from our company.

Please read the following notes before using the datasheets

- A. These materials are intended as a reference to assist customers with the selection of Panasonic semiconductor products best suited to their applications.
Due to modification or other reasons, any information contained in this material, such as available product types, technical data, and so on, is subject to change without notice.
Customers are advised to contact our semiconductor sales office and obtain the latest information before starting precise technical research and/or purchasing activities.
- B. Panasonic is endeavoring to continually improve the quality and reliability of these materials but there is always the possibility that further rectifications will be required in the future. Therefore, Panasonic will not assume any liability for any damages arising from any errors etc. that may appear in this material.
- C. These materials are solely intended for a customer's individual use.
Therefore, without the prior written approval of Panasonic, any other use such as reproducing, selling, or distributing this material to a third party, via the Internet or in any other way, is prohibited.