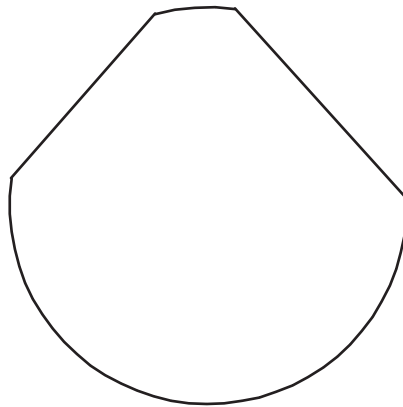


AutoCAD Problem 2-1

Chapter 2: Sketching and Developing Ideas

Shim

Use the CIRCLE command to create a circle approximately 4" in diameter. Then use the LINE command to create two lines so that each line intersects the circle twice. Use the TRIM command to remove the unneeded portions of the circle and lines to create the shim shown below.

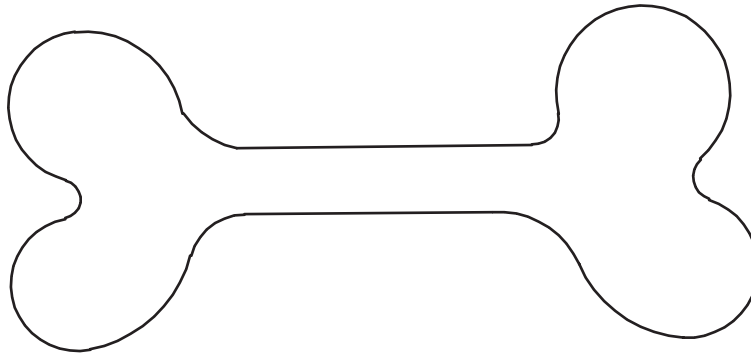


AutoCAD Problem 2-2

Chapter 2: Sketching and Developing Ideas

Dog Treat Sketch

Use the **SKETCH** command with **SKPOLY** set to 1 and a line increment of .01 to create a drawing of a bone-shaped dog treat similar to the one shown below. Then use the **PLINE** command to create the drawing a second time. Which method is easier? Why?

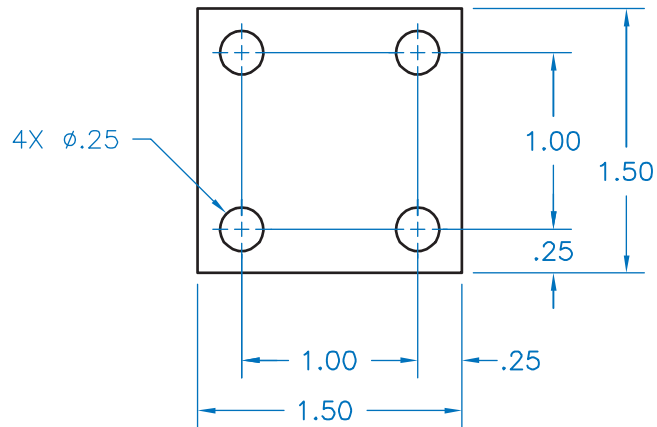


AutoCAD Problem 2-3

Chapter 2: Sketching and Developing Ideas

Plate

Create a drawing of the plate shown below using the **LINE** and **CIRCLE** commands. Draw the plate using the dimensions shown, but do not add dimensions to your drawing.





AutoCAD Problem 2-4

Chapter 2: Sketching and Developing Ideas

Slot

Create a drawing of the slot shown below using the LINE, ARC, and/or CIRCLE commands. Create the drawing according to the dimensions shown, but do not add the dimensions to your drawing.

