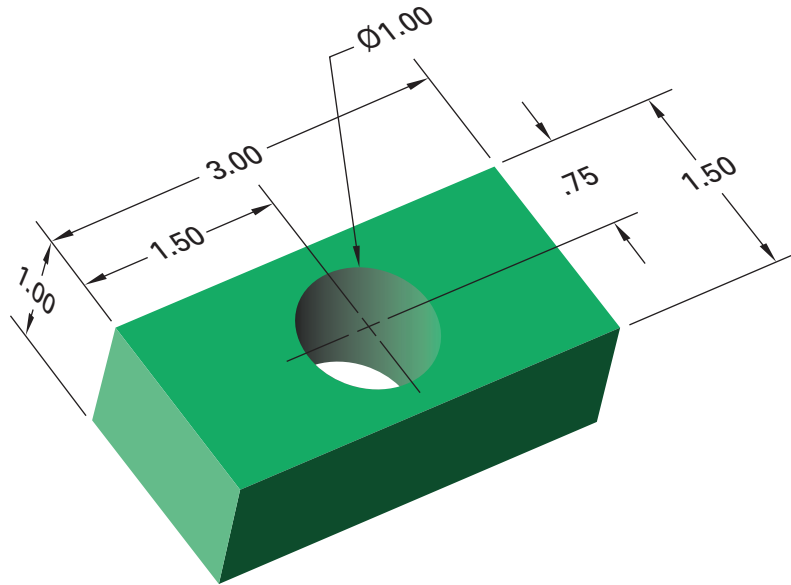


AutoCAD Problem 5-1

Chapter 5: Mechanical CAD

Bracket

Create a two-view projection of the bracket shown below. Use appropriate layers and linetypes. Create the drawing according to the dimensions shown, but do not add the dimensions to your drawing.

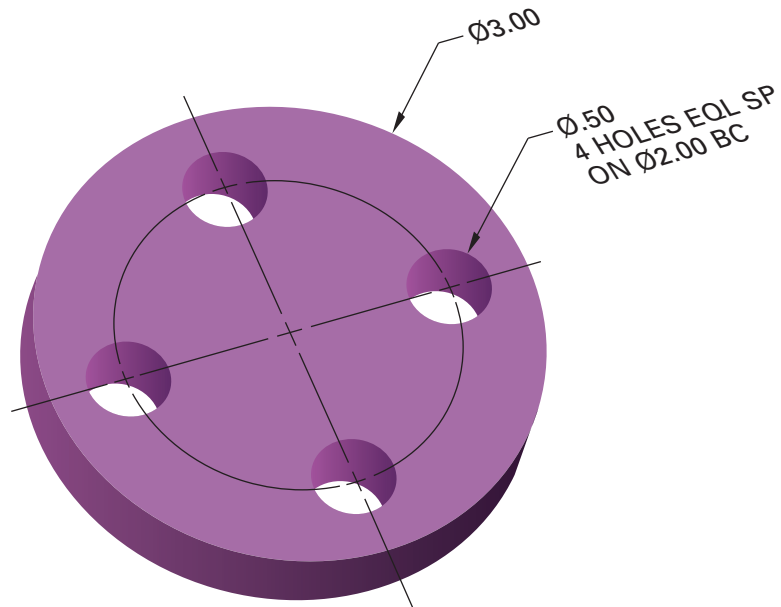


AutoCAD Problem 5-2

Chapter 5: Mechanical CAD

Pipe Cover

Create a two-view projection of the pipe cover shown below. Create the drawing according to the dimensions shown, but do not include the dimensions on your drawing.



AutoCAD Problem 5-3

Chapter 5: Mechanical CAD

Three-View Projection

Create a three-view projection of the box shown below. Use appropriate layers and linetypes. Create the views according to the dimensions shown, but do not add dimensions to your drawing.

