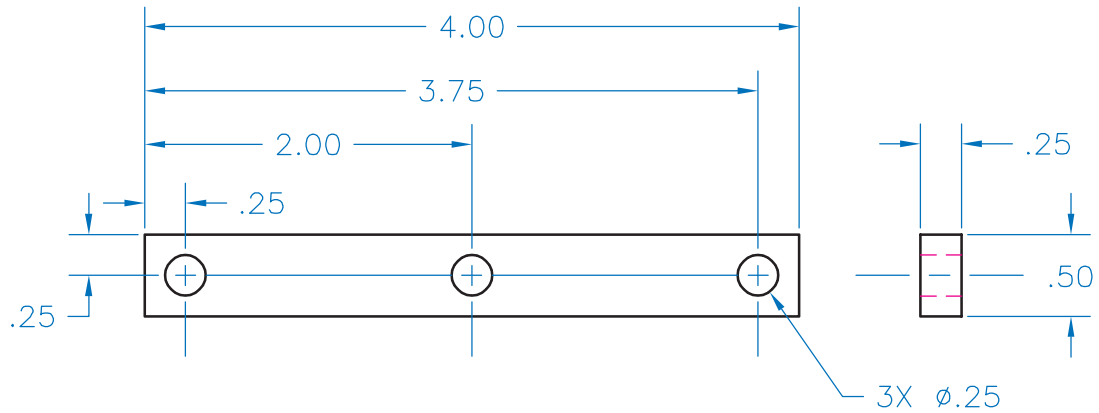


AutoCAD Problem 6-1

Chapter 6: Mechanical Dimensioning

Bracket

Create a dimensioned two-view drawing of the bracket shown below. Place the dimensions, centerlines, and hidden lines on dedicated layers.

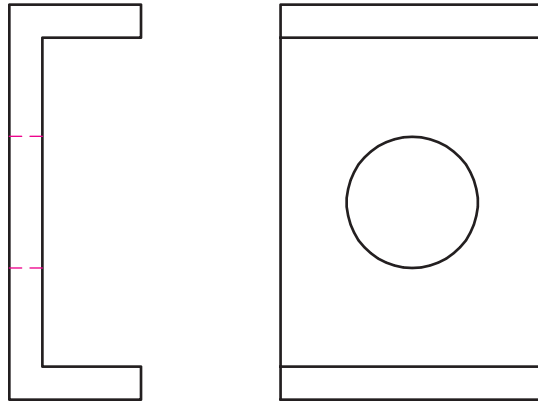


AutoCAD Problem 6-2

Chapter 6: Mechanical Dimensioning

Jig

Create the two views of a jig as shown below. Assume an overall height of 3.00", width of 1.00", and depth of 2.00". The hole is centered vertically and horizontally on the surface and has a diameter of 1.00". Add any missing lines and dimension the views appropriately using ordinate dimensions.

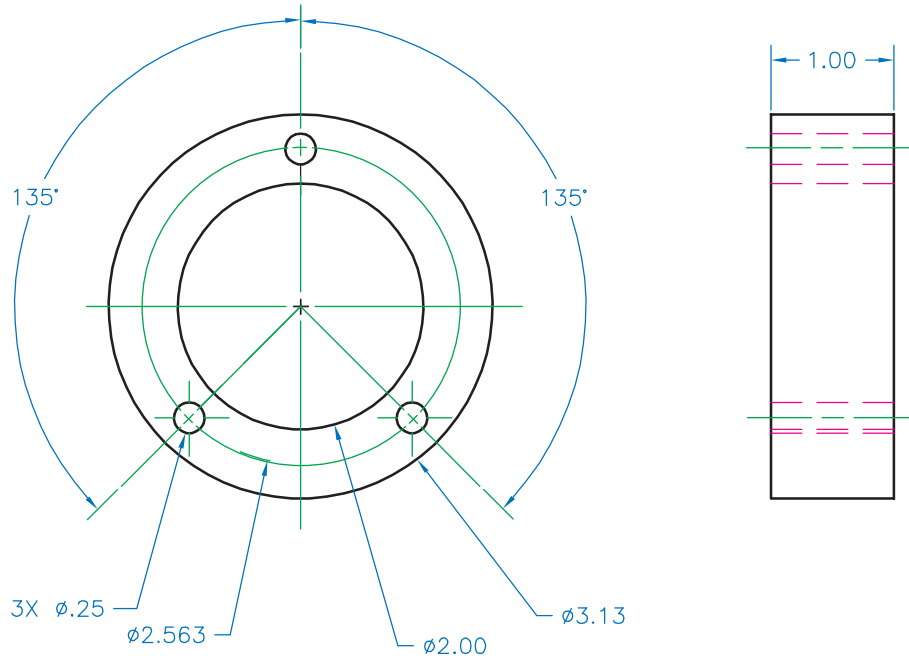


AutoCAD Problem 6-3

Chapter 6: Mechanical Dimensioning

Spacer

Create a dimensioned drawing of the spacer shown below. Create both views and dimension as shown. Use appropriate layers.



AutoCAD Problem 6-4

Chapter 6: Mechanical Dimensioning

Mechanical Tool

Create a dimensioned drawing of the tool shown below. Use appropriate layers.

