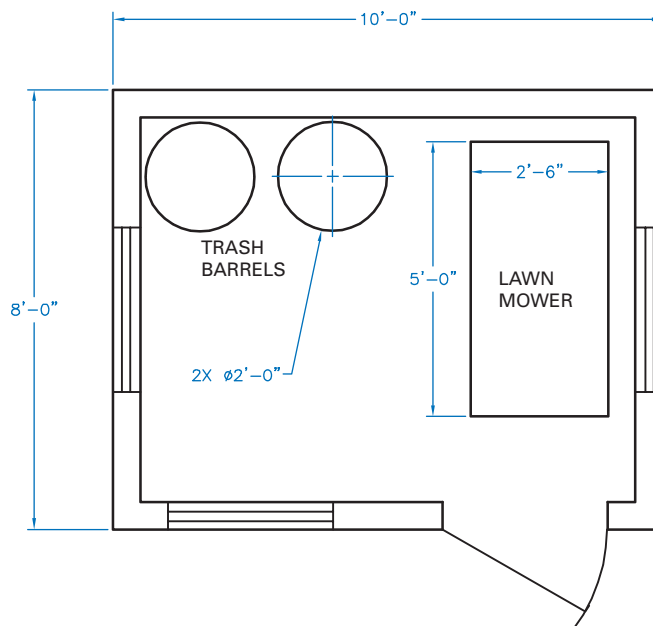


AutoCAD LT Problem 8-1

Chapter 8: Architectural CAD

Storage Shed

Create a plan view of an outdoor storage shed similar to the one shown below. Plan enough room to store two lawn mowers and two trash barrels. Include three windows and one door. The dimensions shown are for reference only. You may change the overall size of the shed as long as your design meets the problem requirements.

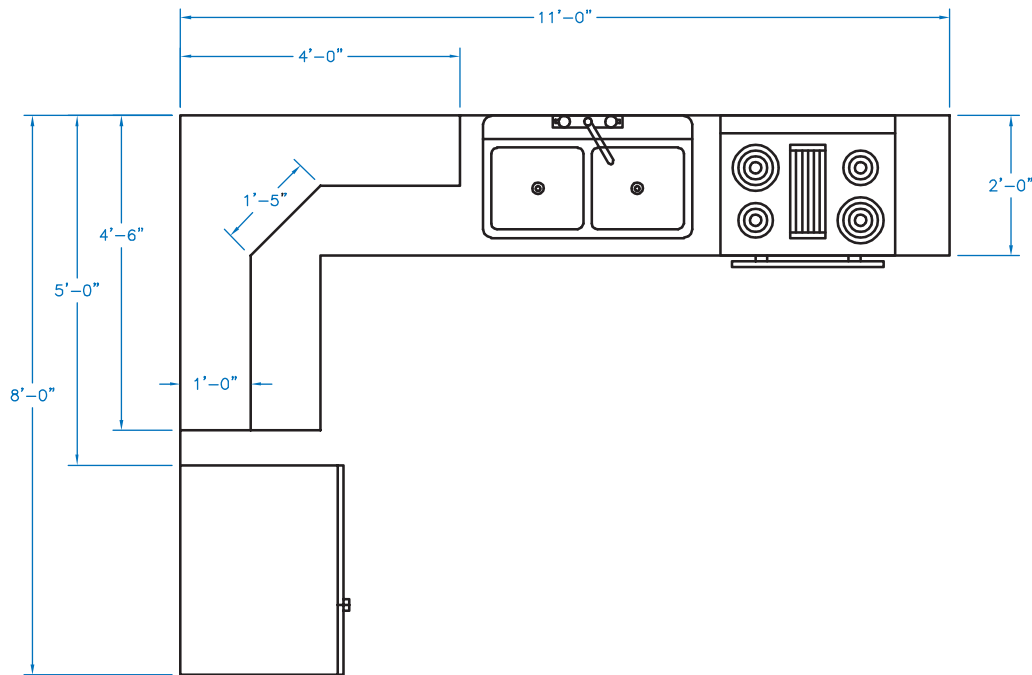


AutoCAD LT Problem 8-2

Chapter 8: Architectural CAD

Kitchen Plan

Create a plan view of an 8' × 11' kitchen similar to the one shown below. Include a refrigerator, stove, sink, and cabinets. Create a tool palette from DesignCenter symbols to hold the appliances and sink. Insert them from the tool palette.



AutoCAD LT Problem 8-3

Chapter 8: Architectural CAD

Dog House Elevations

Create front and side elevation drawings of a dog house similar to the one shown below. Estimate any dimensions that are not shown. Use the BHATCH command to add the siding and roofing materials.

